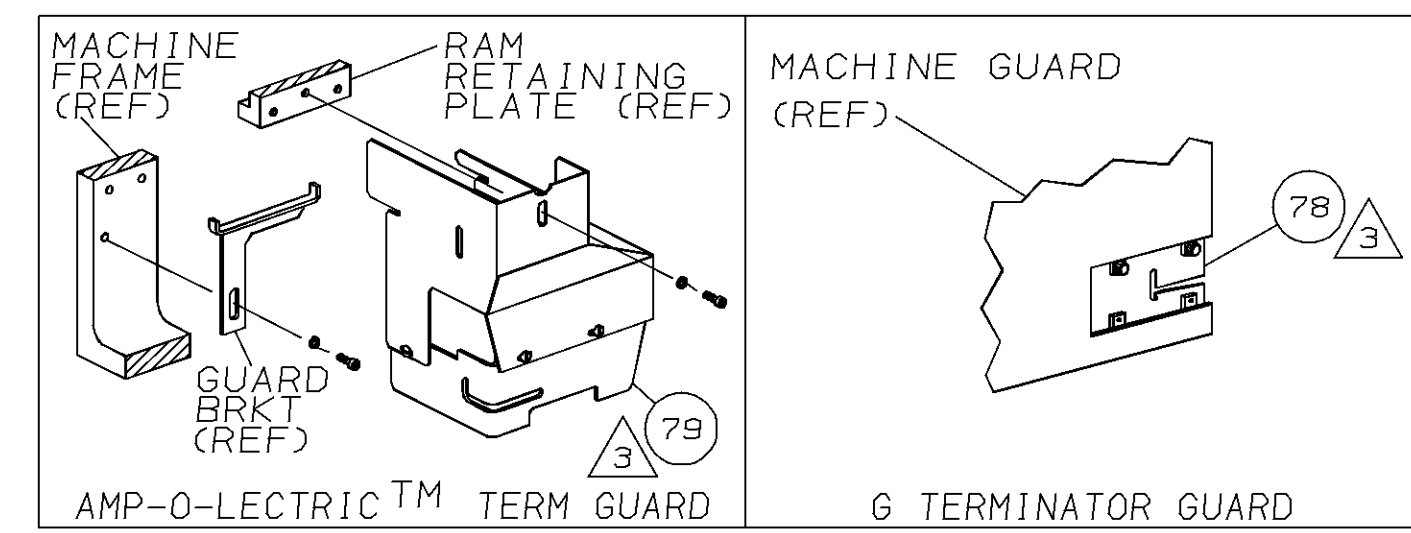
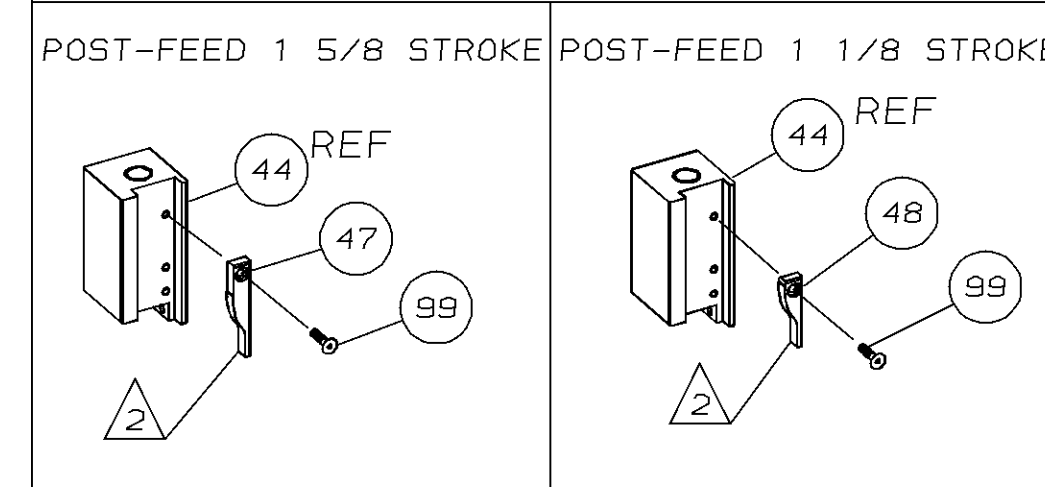
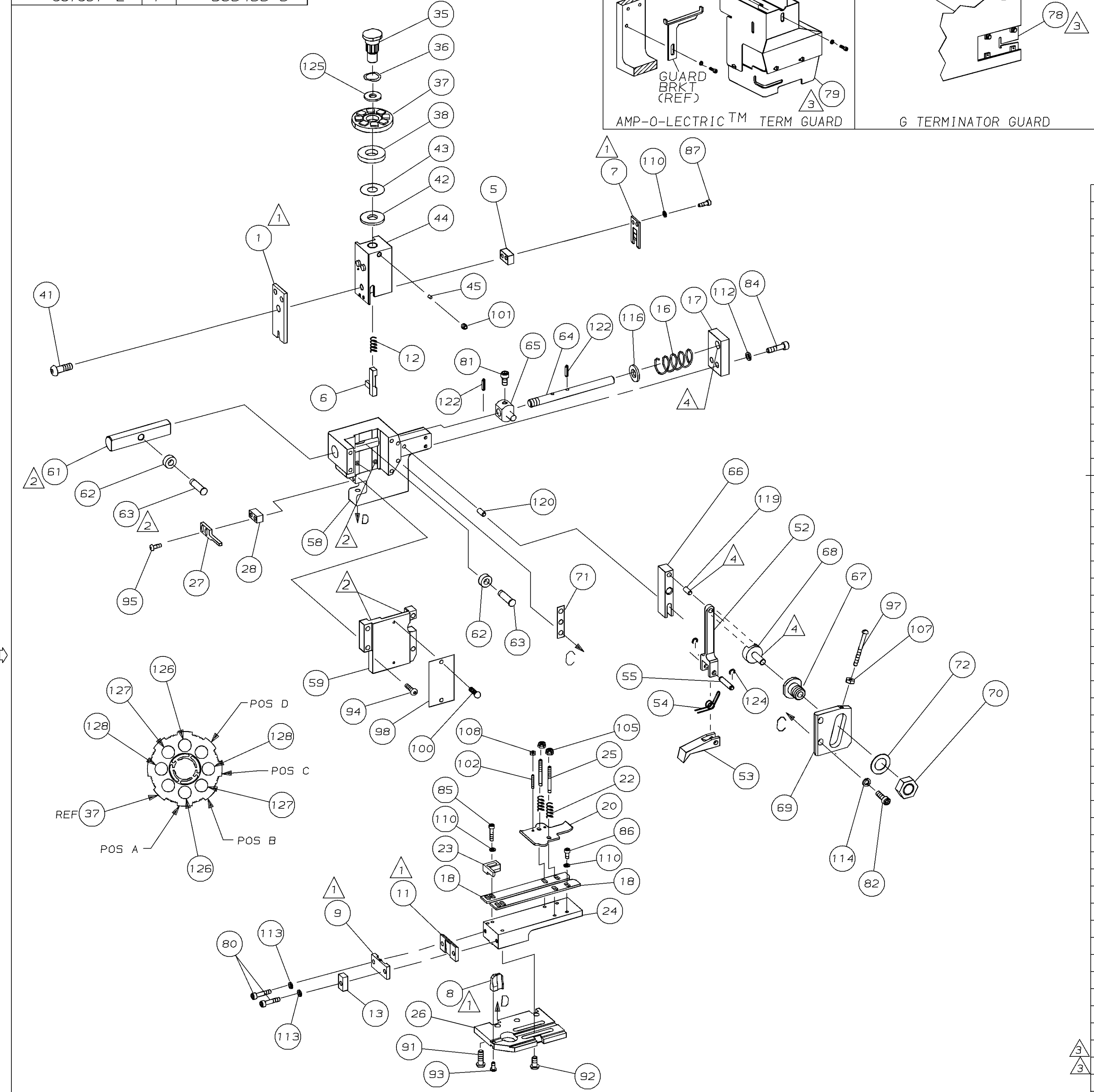


PART NUMBER	REV	FIRST USED
687891-1	F	854400-1
687891-2	F	565435-5



TERMINAL NAME:		CRIMPING DATA			
.110 FASTON™RECP		PAD LTR	CRIMP HEIGHT	WIRE SIZE	
	40898	A	.059 ±.002	16	
	40963	B	.049 ±.002	18	
	41500	C	.045 ±.002	20	
	41960	D	NOT	USED	
	61457	CRIMP	SIZE	TYPE	RANGE
	63471	WIRE	.070	F	20-16
		INSUL	-	-	-
		FEED	APPL INST	SET UP GAGE	LAYOUT
		.579	408-8039	458638-1	216
TERM APPL SPEC	-	WIRE STRIP LENGTH	-		

REF	REF	QTY	DESCRIPTION	ITEM NO
REF	REF	-	A 22594-8 NUT, HEX	70
REF	REF	-	B 240628-1 PLATE, ADJ	69
REF	REF	-	B 240626-1 SHAFT, PIVOT	68
REF	REF	-	B 240633-1 BUSHING	67
REF	REF	-	A 455680-1 LEVER, INTERMEDIATE	66
REF	REF	-	B 240629-1 BLOCK, PIVOT	65
REF	REF	-	A 240632-2 SCR, ADJ	64
REF	REF	-	B 240659-3 PIN, CAM ROLLER	63
REF	REF	-	B 240658-1 CAM, ROLLER	62
REF	REF	-	B 454398-1 ROD, FEED	61
REF	REF	-	C 454220-1 CAP, RAM	59
REF	REF	-	D 453736-1 HOUSING	58
REF	REF	-	B 240624-1 PIN, FEED FINGER	55
REF	REF	-	B 691499-1 SPRING, FEED FINGER	54
REF	REF	-	B 240635-1 FINGER, FEED	53
REF	REF	-	B 240634-1 LEVER, TERMINAL	52
REF	REF	-	C 454220-1 CAP, RAM	59
REF	REF	-	D 453736-1 HOUSING	58
REF	REF	-	B 690501-3 CAM, POST FEED 1 1/8 ST	48
REF	REF	-	B 690501-4 CAM, POST-FEED 1 5/8 ST	47
REF	REF	-	A 690191-1 PLUG, NYLON	45
REF	REF	-	C 455674-1 RAM	44
REF	REF	-	A 690125-1 WASHER, LAMINATED	43
REF	REF	-	A 690124-1 WASHER, RAM	42
REF	REF	-	A 7-21002-9 BOLT, CRIMPER(5/16-24x1.00)	41
REF	REF	-	B 690223-2 SPACER, INSULATION DISC	38
REF	REF	-	D 354777-1 WIRE DISC, PLASTIC	37
REF	REF	-	A 22480-5 WASHER, SPRING	36
REF	REF	-	B 690212-1 POST, RAM	35
REF	REF	-	D 458980-1 APPLICATOR, BASIC (SUB ASSY)	32
REF	REF	-	B 3-690451-2 SPACER, STRIPPER	28
REF	REF	-	A 240639-1 STRIPPER	27
REF	REF	-	C 455676-1 PLATE, BASE	26
REF	REF	-	A 22354-8 DRAG, STUD	25
REF	REF	-	B 455678-1 PLATE, STRIP GUIDE	24
REF	REF	-	C 240825-7 PLATE, STRIP HOLD DOWN	23
REF	REF	-	A 4-22281-1 SPRING, DRAG	22
REF	REF	-	A 454177-1 DRAG, STOCK	20
REF	REF	-	C 454204-1 GUIDE, STRIP (FRONT)	18
REF	REF	-	A 454178-1 GUIDE, FEED ROD	17
REF	REF	-	A 4-22284-9 SPRING, FEED RETURN	16
REF	REF	-	C 1-690481-3 SPACER, HOLD DOWN	13
REF	REF	-	A 23846-1 SPRING, HOLD DOWN	12
REF	REF	-	B 240833-7 PLATE, REAR SHEAR	11
REF	REF	-	B 1-690482-6 PLATE, FRONT SHEAR	9
REF	REF	-	D 3-240654-7 ANVIL	8
REF	REF	-	B 1-690474-3 BLADE, SLUG	7
REF	REF	-	D 4-455892-3 HOLD DOWN, TERMINAL	6
REF	REF	-	C 5-240641-9 SPACER, SLUG BLADE	5
REF	REF	-	C 456404-4 CRIMPER, WIRE	1



- 1 RECOMMENDED SPARE PARTS.
- 2 GREASE LIGHTLY.
- 3 GUARD MUST BE IN PLACE WHEN OPERATING APPLICATOR IN A BENCH MACHINE.
- 4 LUBRICATE DAILY USING NO. 20 MACHINE OIL.
- 5. ITEMS WITH QTY OF REF SPECIFIED (EXCEPT ITEMS 78 AND 79) ARE USED ON ITEM 32.

LOC A	LEADMAKER & BENCH MODEL G	K TERMINATOR BENCH MACHINE
DIST 66		

QTY REQD PER ASSY	REV	U/M	DWG SIZE	PART NO	DESCRIPTION	ITEM NO
2	2	-	C	3-354779-2	PIN, WIRE DISC (.3150)C	129
2	2	-	C	2-354779-4	PIN, WIRE DISC (.3110)B	128
2	2	-	C	354779-4	PIN, WIRE DISC (.3010)A	126
1	1	-	A	986950-1	WASHER, FLAT PRECISION	125
REF	REF	-	A	21045-3	RING, RET "C" (Ø.187)FD PIN	124
REF	REF	-	A	5-21028-1	PIN, STD SPRING(Ø.12)FD ADJ ROD	123
REF	REF	-	A	1-21030-7	PIN, DOWEL (Ø.187x1.50)HSG	120
REF	REF	-	A	1-21030-1	PIN, DOWEL (Ø.187x.50)LEVER	119
REF	REF	-	A	21899-4	WASHER, FLAT (Ø5/16)SCR ADJ	116
REF	REF	-	A	21024-5	WASHER, LOCK (NO.10)FD ADJ PL	114
2	2	-	A	21024-5	WASHER, LOCK (NO.10)SHEAR PL	113
REF	REF	-	A	21024-5	WASHER, LOCK (NO.10)FD ROD GDE	112
7	7	-	A	21024-4	WASHER, LOCK (NO.8)SHEAR BL	110
2	2	-	A	21018-4	NUT, HEX (4-40)DRAG	108
REF	REF	-	A	21018-5	NUT, HEX (6-32)FD ADJ PL	107
2	2	-	A	21022-2	NUT, HEX SL (8-32)DRAG STUD	105
2	2	-	A	4-21078-8	SKT SKT SET (4-40x.75)DRAG	102
1	1	-	A	21009-2	SCR, SKT SET (1/4-20x.25 )RAM	101
2	2	-	A	21017-2	SCR, DRIVE (#2x.19)ID PLATE	100
1	1	-	A	1-21002-7	SCR, BHC (6-32x.38)CAM	99
1	1	-	B	461264-1	PLATE, IDENTIFICATION	98
REF	REF	-	A	6-23715-5	SCR, PAN HD (6-32x1.50)FEED ADJ	97
2	2	-	A	2-21002-2	SCR, BHC (8-32x.50)STRIPPER	95
REF	REF	-	A	2-21002-9	SCR, BHC (10-32x.75)HSG CAP	94
1	1	-	A	22733-8	SCR, BHC (8-32x.38 LW)ANVIL	93
4	4	-	A	3-21002-3	SCR, BHC (1/4-20x.50)ST ØD PL	92
REF	REF	-	A	2-22733-8	SCR, BHC (1/4-20x.62)BASE PL	91
REF	REF	-	A	3-21000-6	SCR, SKT CAP (10-32x.62)FD ADJ P	82
REF	REF	-	A	3-21000-4	SCR, SKT CAP (10-32x.38)PIVOT BL	81
2	2	-	A	3-21000-8	SCR, SKT CAP (10-32x.88)SH PL	80
REF	REF	-	A	455745-1	GUARD, WINDOW	79
REF	REF	-	A	679532-1	INSERT, GUARD	78
REF	REF	-	A	458109-1	WASHER, FLAT (SPECIAL)	72
REF	REF	-	A	690517-1	SPACER	71

QTY REQD PER ASSY	REV	U/M	DWG SIZE	PART NO	DESCRIPTION	ITEM NO
2	2	-	C	454204-1	GUIDE, STRIP (FRONT)	18
REF	REF	-	A	454178-1	GUIDE, FEED ROD	17
REF	REF	-	A	4-22284-9	SPRING, FEED RETURN	16
REF	REF	-	A	1-690481-3	SPACER, HOLD DOWN	13
REF	REF	-	A	23846-1	SPRING, HOLD DOWN	12
REF	REF	-	B	240833-7	PLATE, REAR SHEAR	11
REF	REF	-	B	1-690482-6	PLATE, FRONT SHEAR	9
REF	REF	-	D	3-240654-7	ANVIL	8
REF	REF	-	B	1-690474-3	BLADE, SLUG	7
REF	REF	-	D	4-455892-3	HOLD DOWN, TERMINAL	6
REF	REF	-	C	5-240641-9	SPACER, SLUG BLADE	5
REF	REF	-	C	456404-4	CRIMPER, WIRE	1