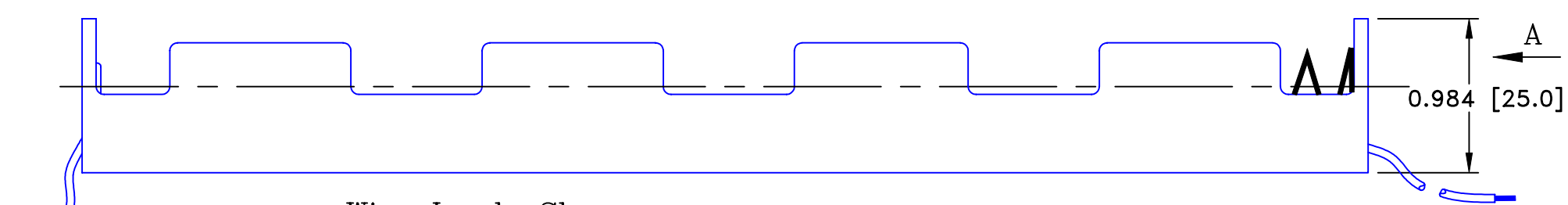
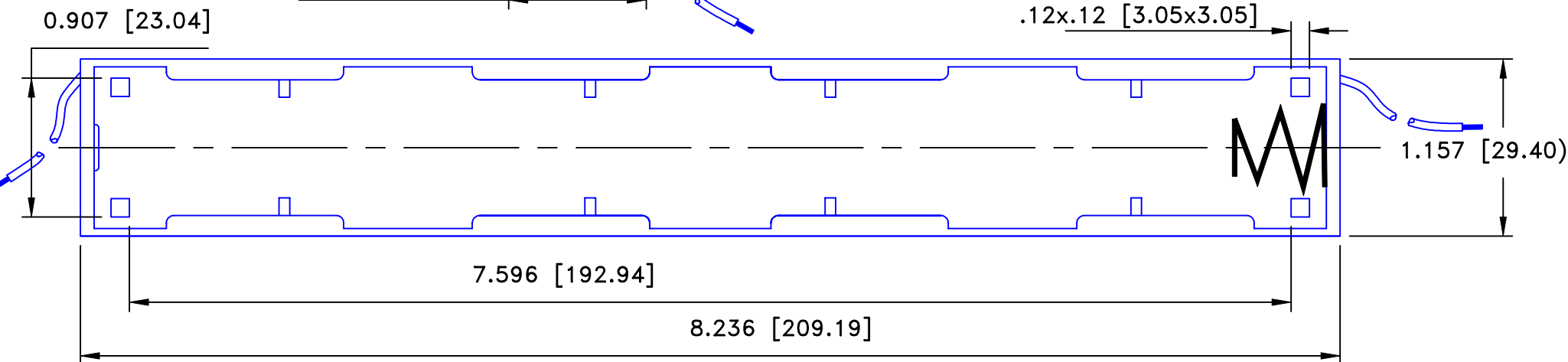
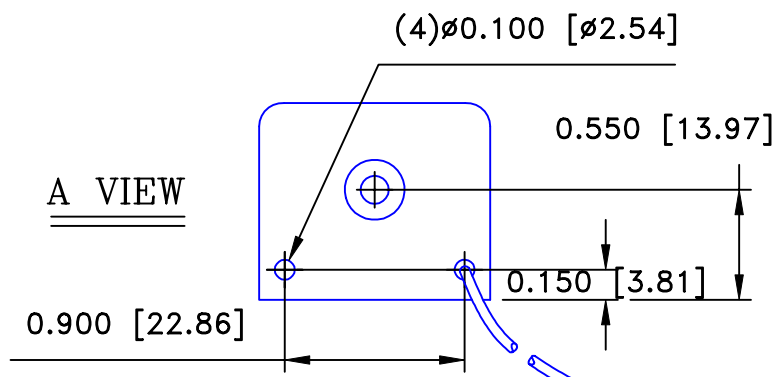


Date	SYM	REVISION RECORD	AUTH	DR.	CK.




Wire Leads Shown

ORDERING CODE BH14C

**SPECIFICATIONS**

- Plastic material- polypropylene
- Springs- nickel plated spring steel
- Wire- 26 AWG, UL1007, CSA
- Rivets- Brass, nickel plated
- 9Volt snaps- Brass, nickel plated

- L- Solder Lugs
- W- (6") Wire Leads
- SF- 9Volt type snaps
- B- Bump plates

Tolerance (Except as noted)	 <b>Memory Protection Devices, Inc</b> 200 Broad Hollow Road, Farmingdale, New York 11735		
decimal ±.5 (.020)	Scale 1=1	Drawn By T.S. Approved By T.B.	
Fractional ± .8 (.030)	Title <b>FOUR "C" CELL HOLDER</b>		
Angular ± 3°	Date 8/24/00	Drawing Number <b>BH14CW</b>	