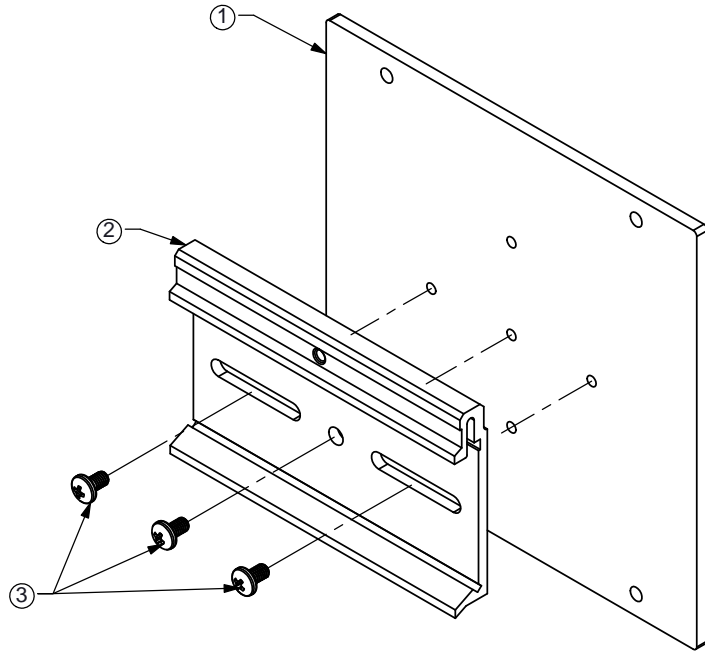
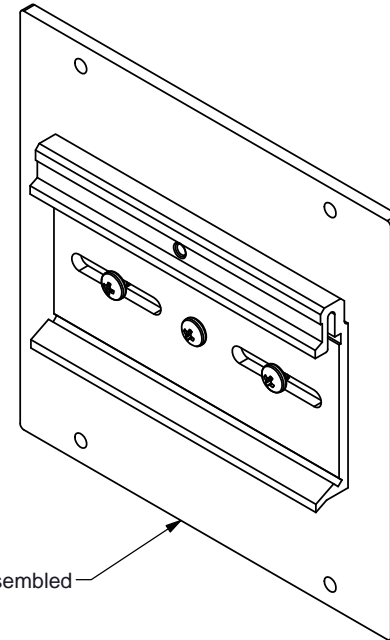


REV.	DESCRIPTION	DATE
A	NEW DRAWING	5/20/2013

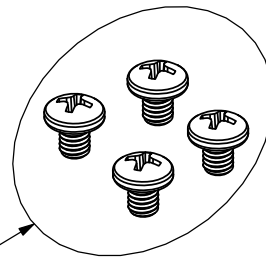


EXPLODED VIEW



Shipped Assembled

ASSEMBLY VIEW



④ Shipped Loose



CUI INC

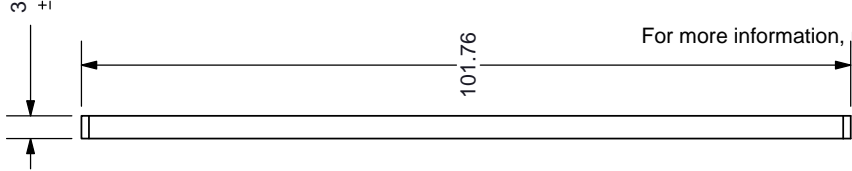
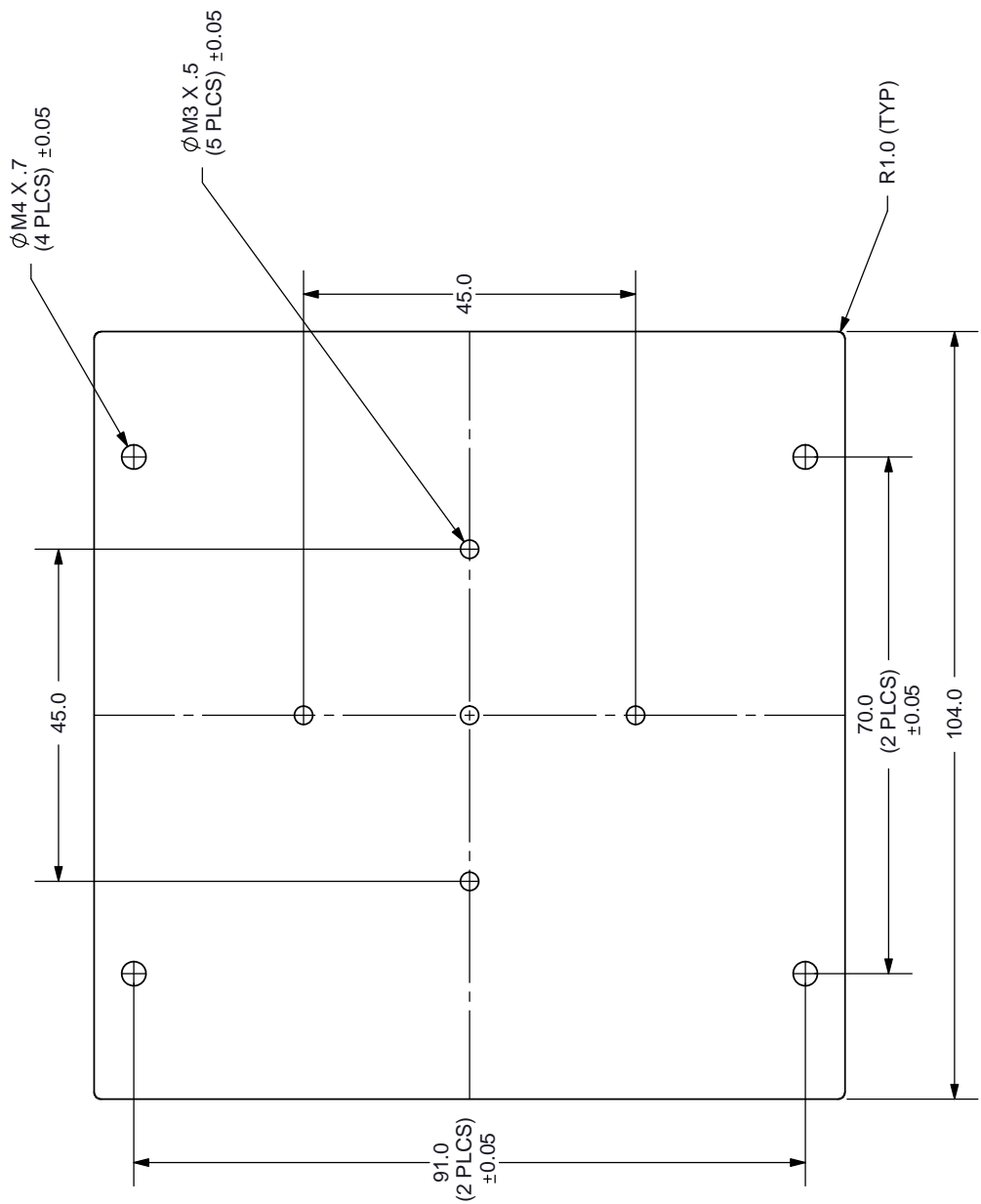
20050 SW 112th Ave.
Tualatin, OR 97062
Phone: 503-612-2300
800-275-4899
Fax: 503-612-2383
Website: www.cui.com

ITEM	DESCRIPTION	QUANTITY	TITLE: DIN RAIL MOUNTING BRACKET KIT		REV: A
1	VHK-DRA	1	PART NO. VHK-DIN		UNITS: MM
2	VDRP-02	1			
3	M3X6 SCREWS	3	DRAWN BY: RDS		APPROVED BY:
4	M4X5 SCREWS	4			

PC FILE NAME:
VHK-DIN

COPYRIGHT 2013 BY CUI INC.

REV. A
DESCRIP NEW DRAW



For more information, please visit the [Product page](#).

TOLERANCE: ± 0.2 mm UNLESS OTHERWISE SPECIFIED

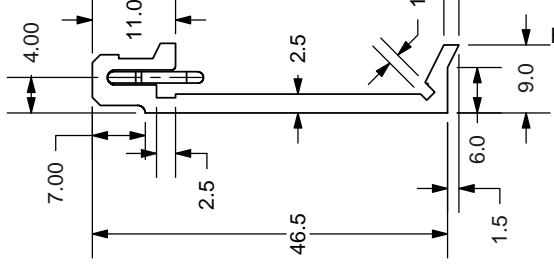
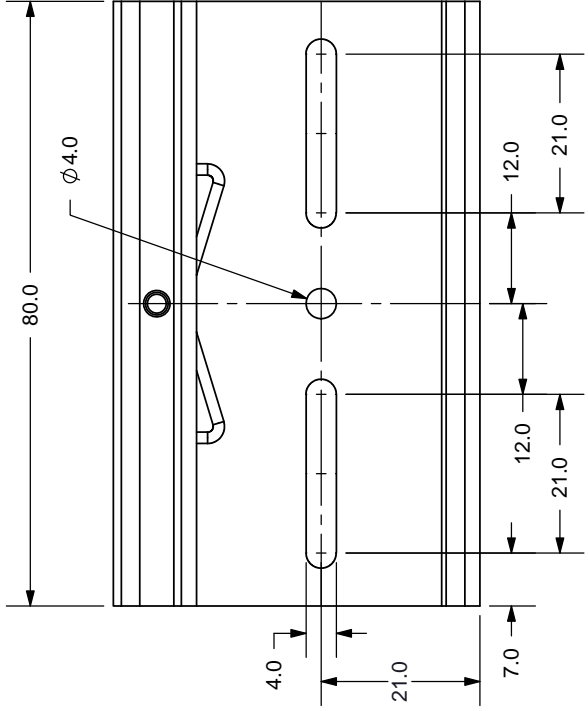


TITLE: MOUNTING
PART NO: VHK-DRA
DRAWN BY: RDS

PC FILE NAME:

COPYRIGHT 2013 BY CUJ INC.

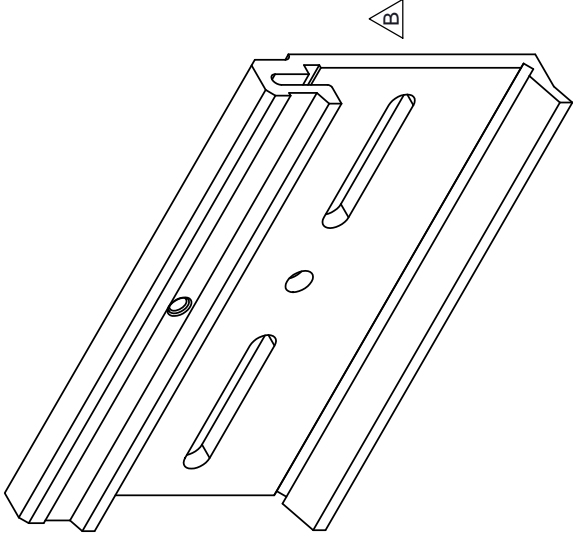
REV.	DESC
A	NEW I
B	update



For more information, please visit the [Product page](#).

TOLERANCE: ±0.3mm UNLESS SPECIFIED

MATERIAL: ALUMINUM



TITLE: DIN RAIL MC

PART NO: VDRP-02

DRAWN BY: RDS

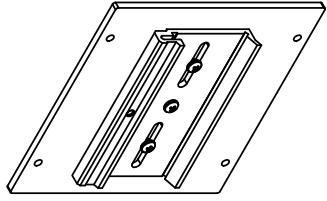
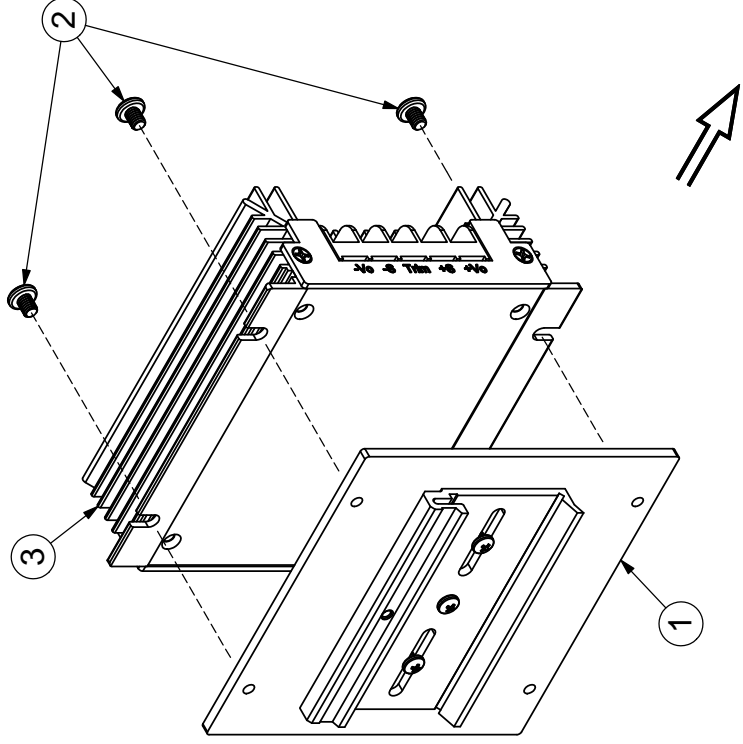
PC FILE NAME:

COPYRIGHT 2013 BY CUJ INC.

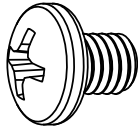
REV.	DESCRIP
A	NEW DRAW
B	updated dr

For more information, please visit the [product page](#).

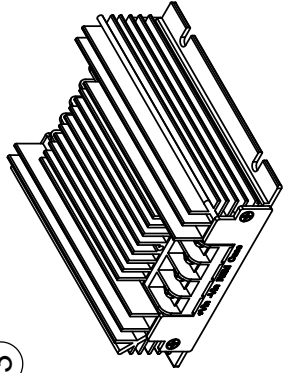
TITLE:	DIN RAIL ASSEMBLY
PART NO.:	VHK-DIN a
DRAWN BY:	RDS



1
SUB-ASSEMBLY
(See page 1)
QTY: 1



2
M4X0.5
5mm length
LOOSE SCREWS
(See page 1)
QTY: 4



3
VHK CHASSIS
MOUNT DC-DC
CONVERTER
QTY: 1
(sold separately)

PC FILE NAME:

COPYRIGHT 2013 BY CUJ INC.