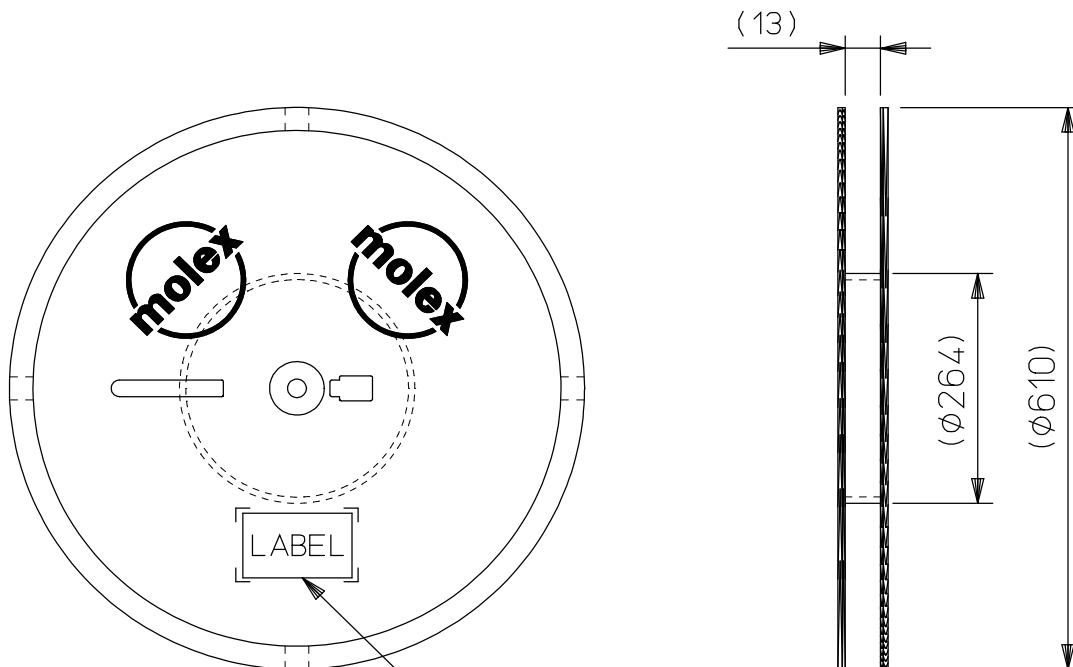


1. 製品名称 / PRODUCT NAME : 1.0 WIRE TO BOARD CONN. REC CRIMP TERMINAL
製品番号 / PART NUMBER : 5 0 3 7 6 5 - 0 0 9 8

2. 標準梱包数 / STANDARD PACKAGING QUANTITY.

1 リールの巻き数 QTY. PER REEL	カートン中のリール数 NUMBER OF REELS	1 カートンの製品数 QUANTITY IN ONE CARTON
40,000	4	160,000

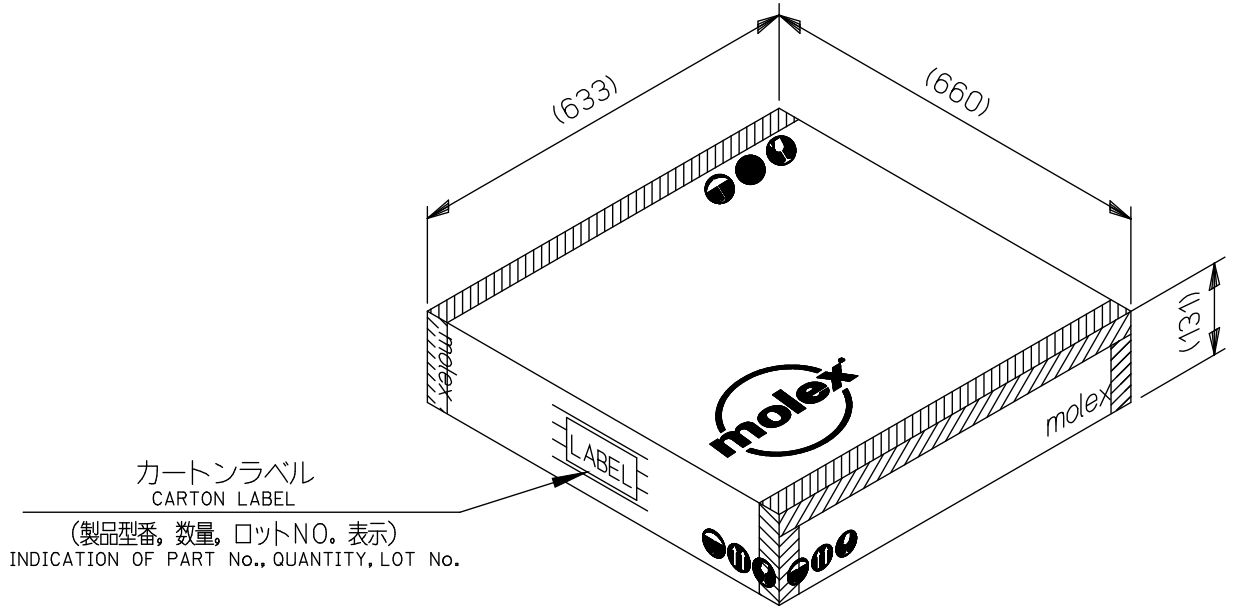
3. リール外形参考寸法 / REEL OUTER DIMENSIONS (REFERENCE PURPOSE ONLY)



現品票
PART IDENTIFICATION LABEL
(製品型番, 数量, ロットNO. 表示)
INDICATION OF PART No., QUANTITY, LOT No.

REV.	A							
SHEET	1~2							
REVISE ON PC ONLY				TITLE:				
A	RELEASED J2014-0422 2013/09/05 Y.TOKUZONO			5 0 3 7 6 5 梱包仕様書 SALES PACKAGING SPEC. FOR 503765				
	THIS DOCUMENT CONTAINS INFORMATION THAT IS PROPRIETARY TO MOLEX INC. AND SHOULD NOT BE USED WITHOUT WRITTEN PERMISSION							
REV.	DESCRIPTION			WRITTEN BY:	CHECKED BY:	APPROVED BY:	DATE: YR/MO/DAY	
	DESIGN CONTROL	STATUS		Y.TOKUZONO	T.HARUYAMA	H.HIRATA	2013/09/05	
DOCUMENT NUMBER							FILE NAME	SHEET
SPK-503765-001								1 OF 2
EN-037(2013-04 rev.1)								

4. カートン外形参考寸法 / CARTON OUTER DIMENSIONS (REFERENCE PURPOSE ONLY) 単位 / UNIT: mm



REVISE ON PC ONLY		TITLE:	
A	SEE SHEET 1 OF 2	5 0 3 7 6 5 梱包仕様書 SALES PACKAGING SPEC. FOR 503765	
	REV. DESCRIPTION	THIS DOCUMENT CONTAINS INFORMATION THAT IS PROPRIETARY TO MOLEX INC. AND SHOULD NOT BE USED WITHOUT WRITTEN PERMISSION	
DOCUMENT NUMBER SPK-503765-001		FILE NAME	SHEET 2 OF 2
EN-037(2013-04 rev.1)			