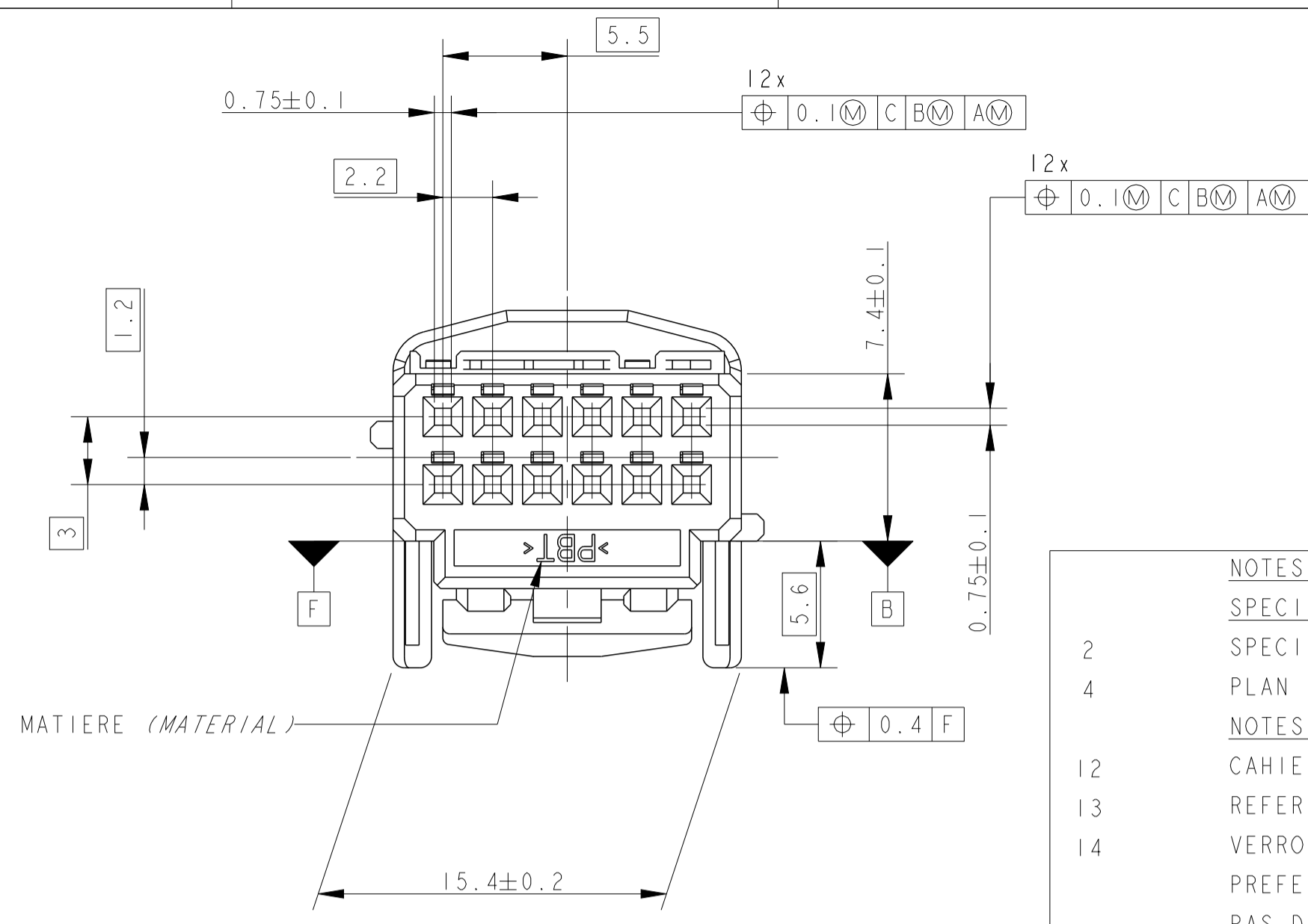
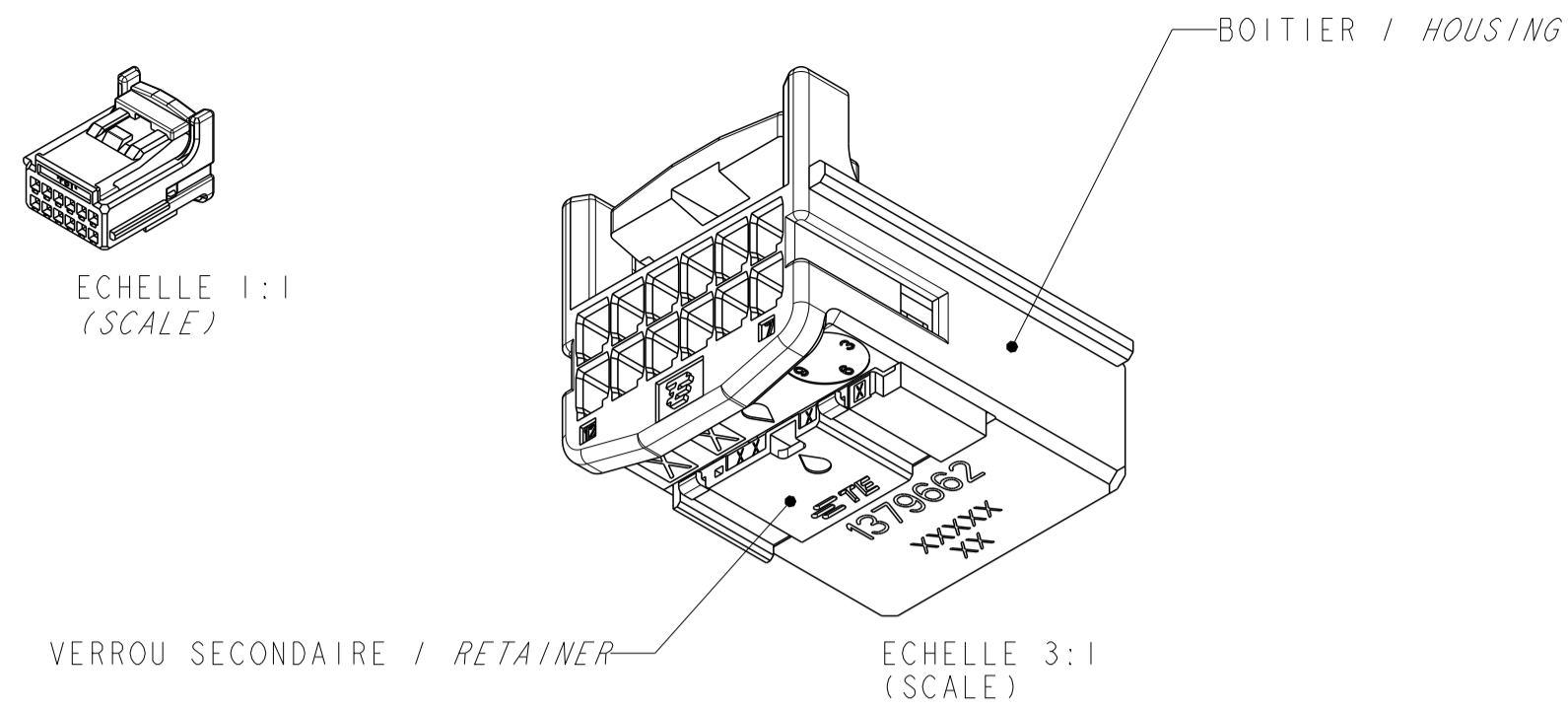
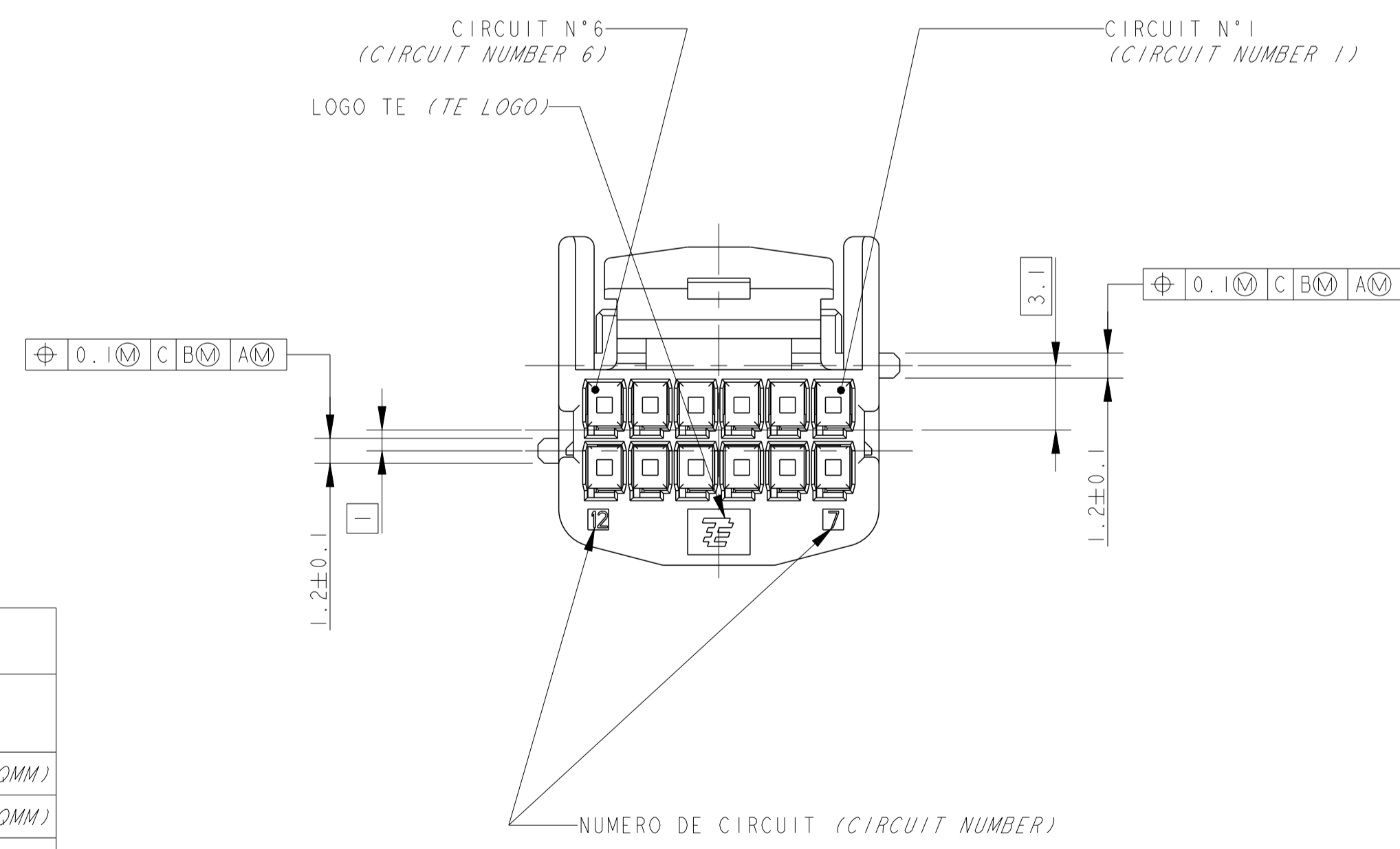
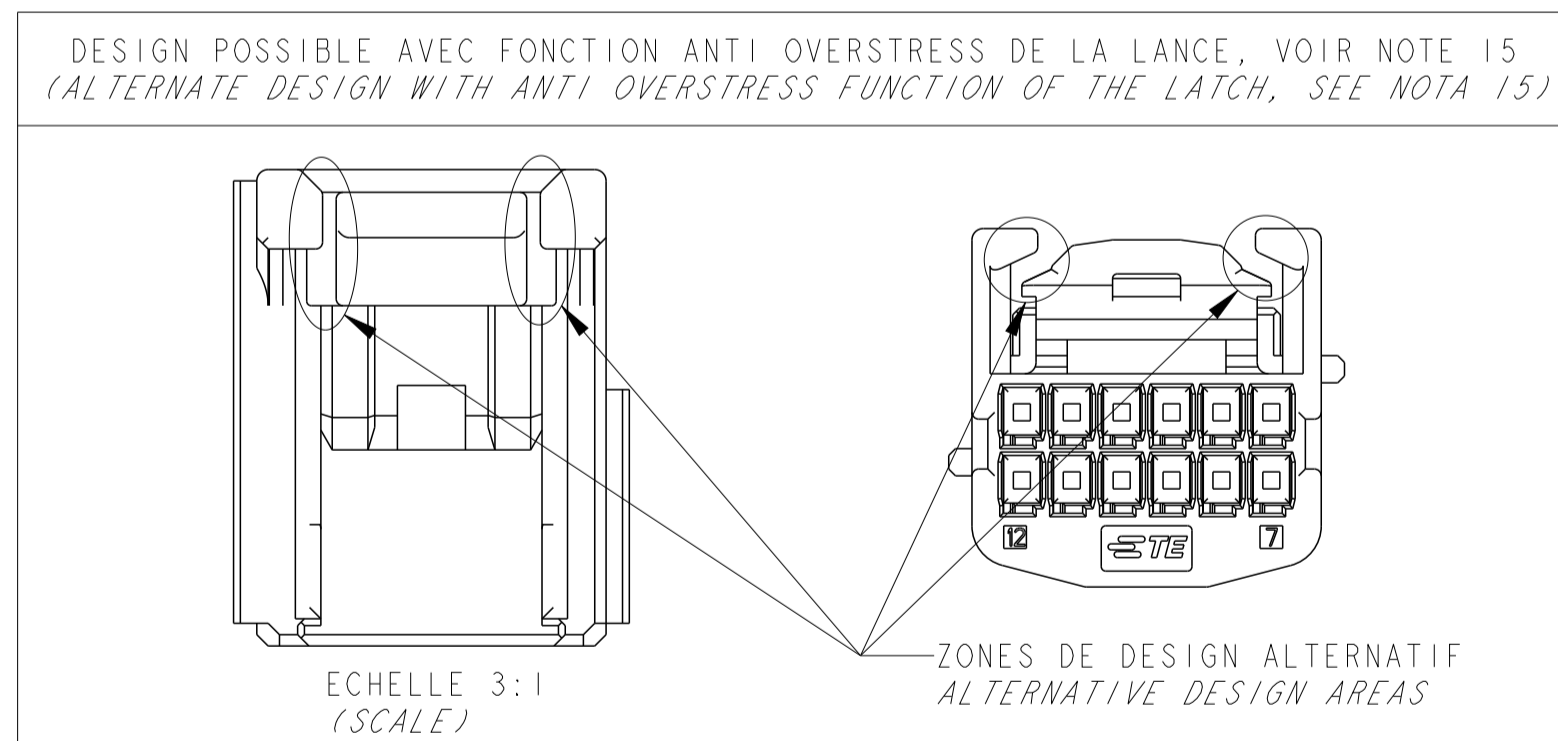
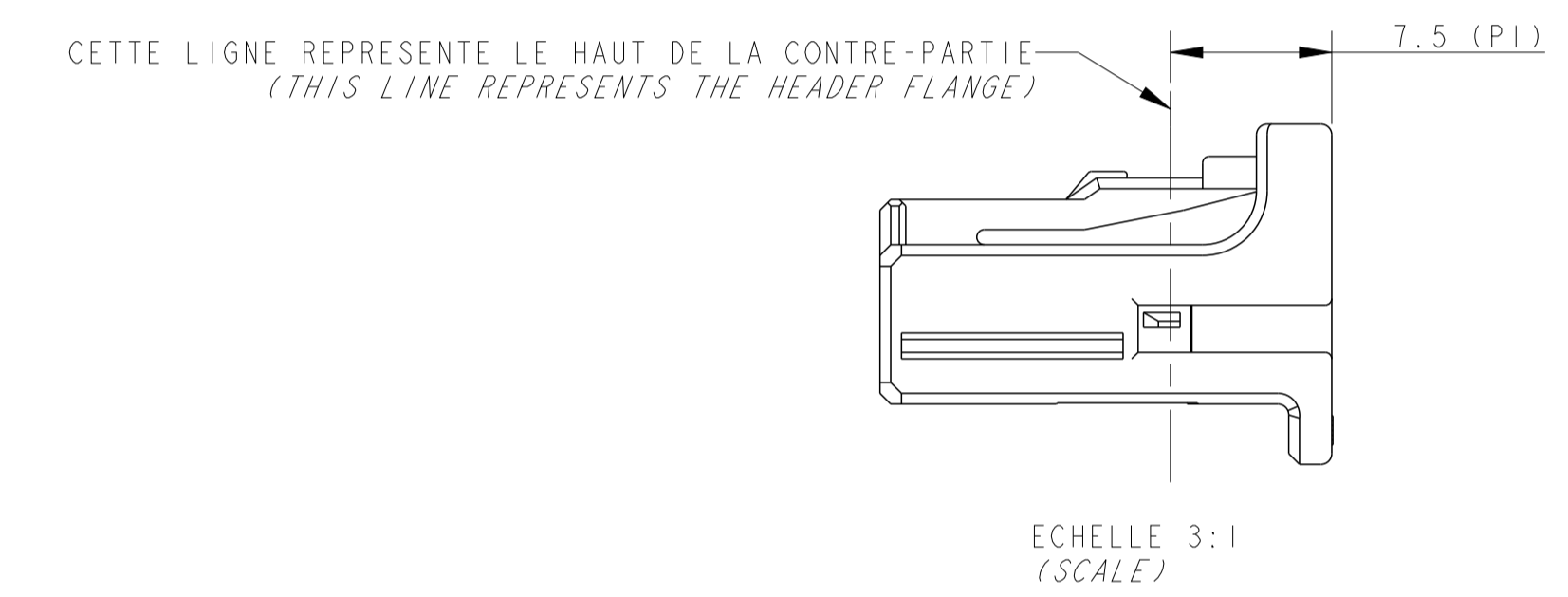
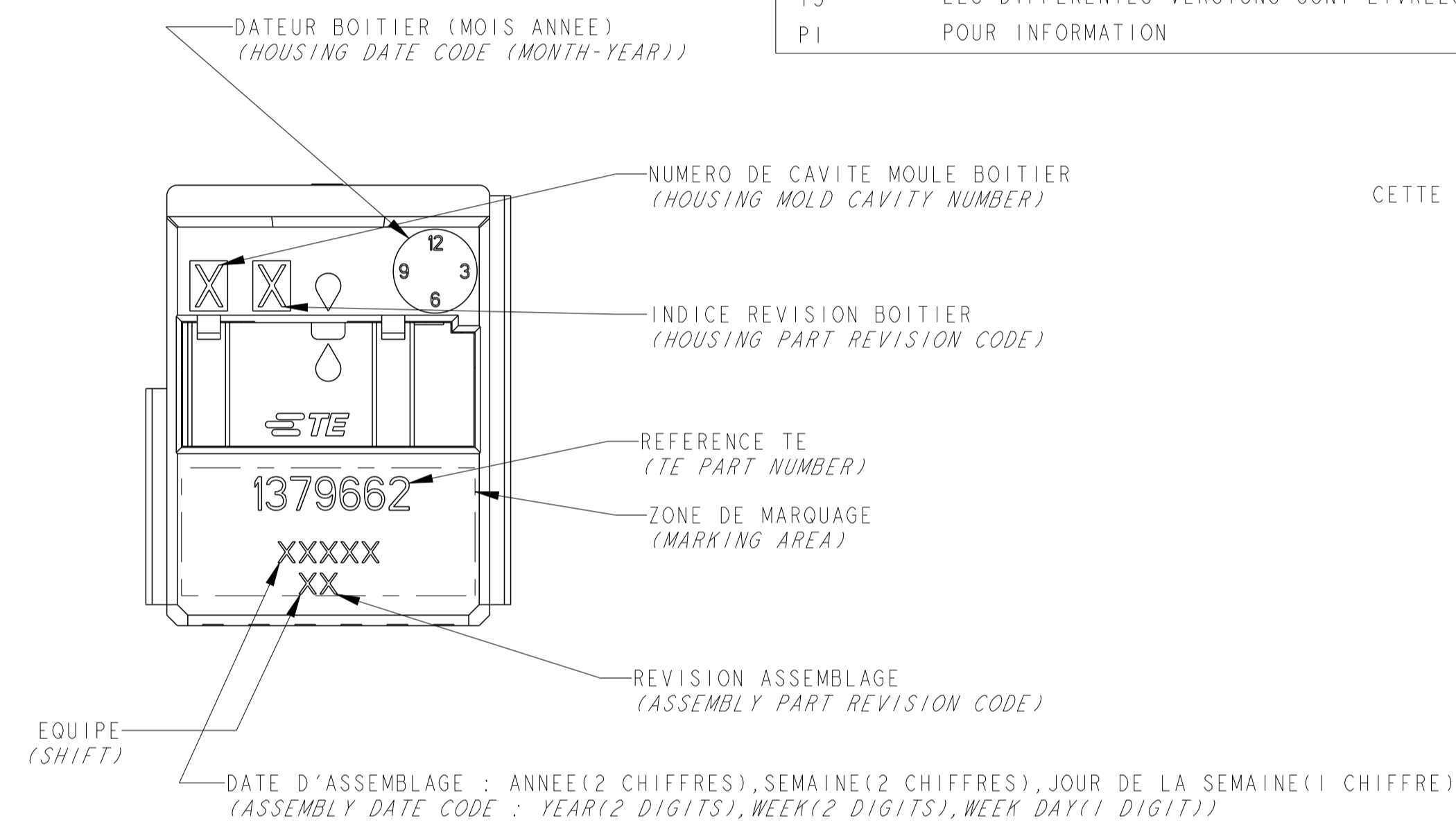
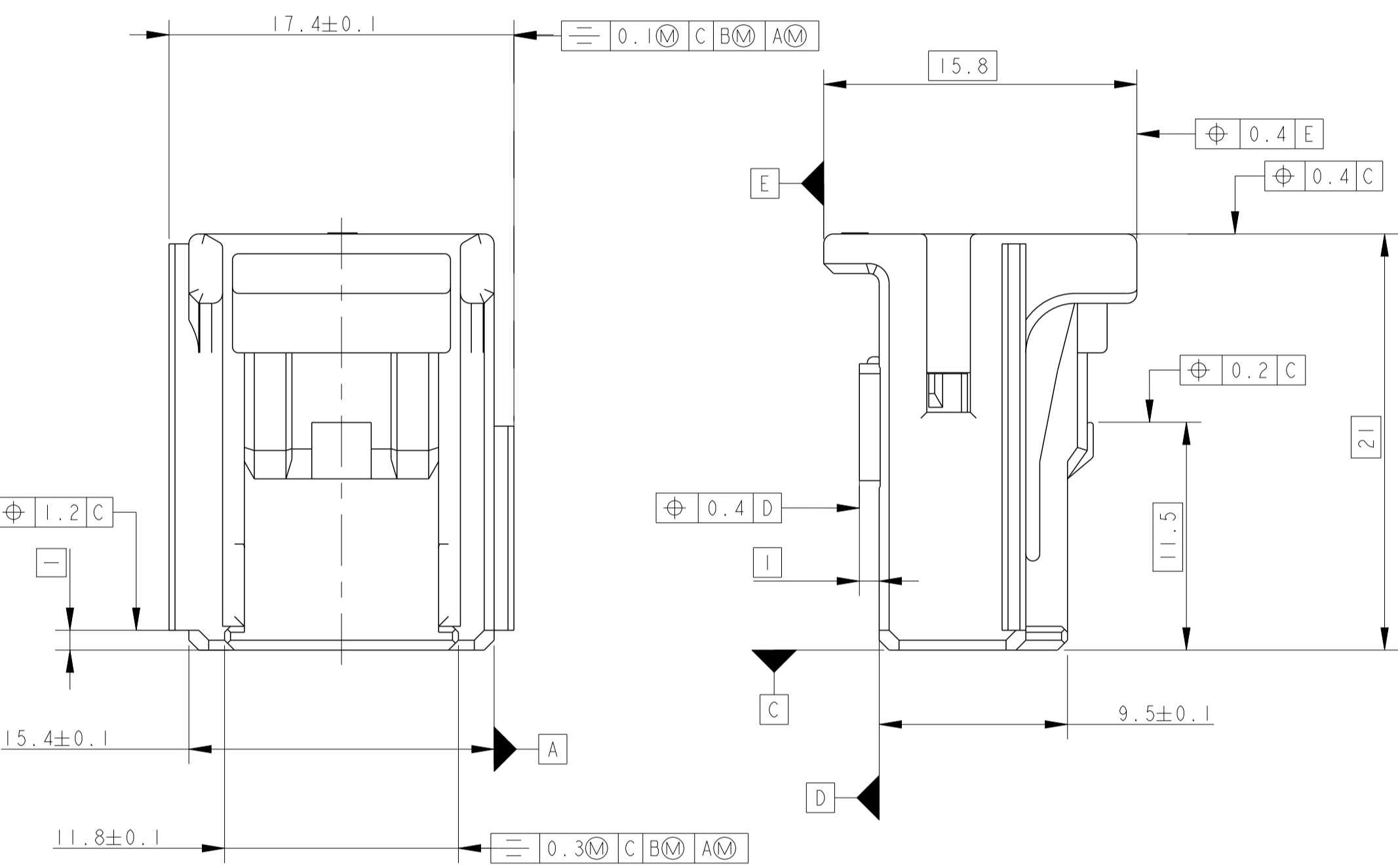


LOC	DIST	REVISIONS				
P	LTA	REV	DESCRIPTION MODIFICATIONS	DATE	DWN	APPV
		A	ADD GOLDED CONTACT, NEUTRAL CODING	21OCT2005	BD	JPP
		B	ADD ALTERNATE ANTI OVERSTRESS DESIGN	21AUG2013	DB	JPP
		C	CORRECTION OF ALTERNATE DESIGN	18SEP2013	DB	JPP



NOTES : LES NOTES LOCALES SONT ENTRE <->
 SPECIFICATIONS DE REFERENCE :
 SPECIFICATION TE : 108-15299
 PLAN D'INTERFACE TE : 1379776
 NOTES COMPLEMENTAIRES :
 12 CAHIER DE PRECONISATION : 411-15672
 13 REFERENCE REPRESENTEE : 1379662-1
 14 VERRU SECONDAIRE PREVERROUILLE (POSITION PREFERENTIELLE DE LIVRAISON). SI LE VERRU N'EST PAS DANS CETTE POSITION, SUIVRE LES INSTRUCTIONS DE LA NOTICE TECHNIQUE TE 411-15672 §8.2
 15 LES DIFFERENTES VERSIONS SONT LIVREES DE FACON ALEATOIRE POUR INFORMATION

LOCALE NOTES ARE BETWEEN <->
 APPLICABLE SPECIFICATION :
 TE SPECIFICATION (SEE BEFORE)
 TE INTERFACE DRAWING (SEE BEFORE)
 ADDITIONAL NOTES :
 INSTRUCTION SHEET : (SEE BEFORE)
 PART NUMBER SHOWN (SEE BEFORE)
 SECONDARY LOCK IN PRELOCKED POSITION (PREFERRED DELIVERY POSITION). IF SECONDARY LOCKING IS NOT IN THIS POSITION, FOLLOW INSTRUCTIONS OF TE SPECIFICATION 411-15672 §8.2
 THE DIFFERENT VERSIONS ARE DELIVERED SO RANDOM FOR REFERENCE ONLY



CONTACTS ASSOCIES LISTE NON EXHAUSTIVE (APPLIED CONTACTS NON EXHAUSTIVE LIST)

REF TE (TE PN)	FINITION (FINISH)	DESIGNATION (DESIGNATION)
1123343-2	DORE (0.38µm) / GOLDED (0.38µm)	CLIP .635 (.635 CONTACT) 0.35 A 0.5 MM ² (SOMM)
1801069-2	DORE (0.8µm) / GOLDED (0.8µm)	CLIP .635 (.635 CONTACT) 0.35 A 0.5 MM ² (SOMM)
1674298-1	ETAME (TINNED)	CLIP .635 (.635 CONTACT) 0.35 A 0.5 MM ² (SOMM)

REF TE / TE PN	DESCRIPTION / DESCRIPTION	CODAGE / KEYING	MATIERE BOITIER - MATIERE VERRU SECONDAIRE / HOUSING MATERIAL - RETAINER MATERIAL	COULEUR BOITIER - COULEUR VERRU SECONDAIRE / HOUSING COLOR - RETAINER COLOR	REVISION ASSEMBLAGE / ASSEMBLY REVISION CODE
1379662-5	CONNECTEUR 12 VOIES / 12 WAY CONNECTOR	NEUTRE / NEUTRAL	PBT-PBT / PBT-PBT	NATUREL-NATUREL / NATURAL-NATURAL	0
1379662-2	CONNECTEUR 12 VOIES / 12 WAY CONNECTOR	2 / 2	PBT-PBT / PBT-PBT	GRIS-NATUREL / GREY-NATURAL	0
1379662-1	CONNECTEUR 12 VOIES / 12 WAY CONNECTOR	1 / 1	PBT-PBT / PBT-PBT	NOIR-NATUREL / BLACK-NATURAL	0

THIS DRAWING IS A CONTROLLED DOCUMENT. CE PLAN EST UN DOCUMENT CONTRÔLÉ PAR TISSOT ELECTRONIQUE. IL EST SUSCEPTIBLE D'ÊTRE PÉRIODIQUEMENT CONTRÔLÉ. CONTACTER LE SERVICE TECHNIQUE DE TISSOT ELECTRONIQUE POUR OBTENIR LA DERNIERE VERSION.

DWN / REVISION: 29OCT2002
 D. BANCE
 CHK / REVISION: 04NOV2002
 B. DUPONT

APVD / APPROVE: 04NOV2002
 JP - P/CLAUD
 PRODUCT SPEC
 SPEC. PRODUCT
 SEE TABLE
 APPLICATION SPEC
 SPEC. APPLICATION
 SEE TABLE

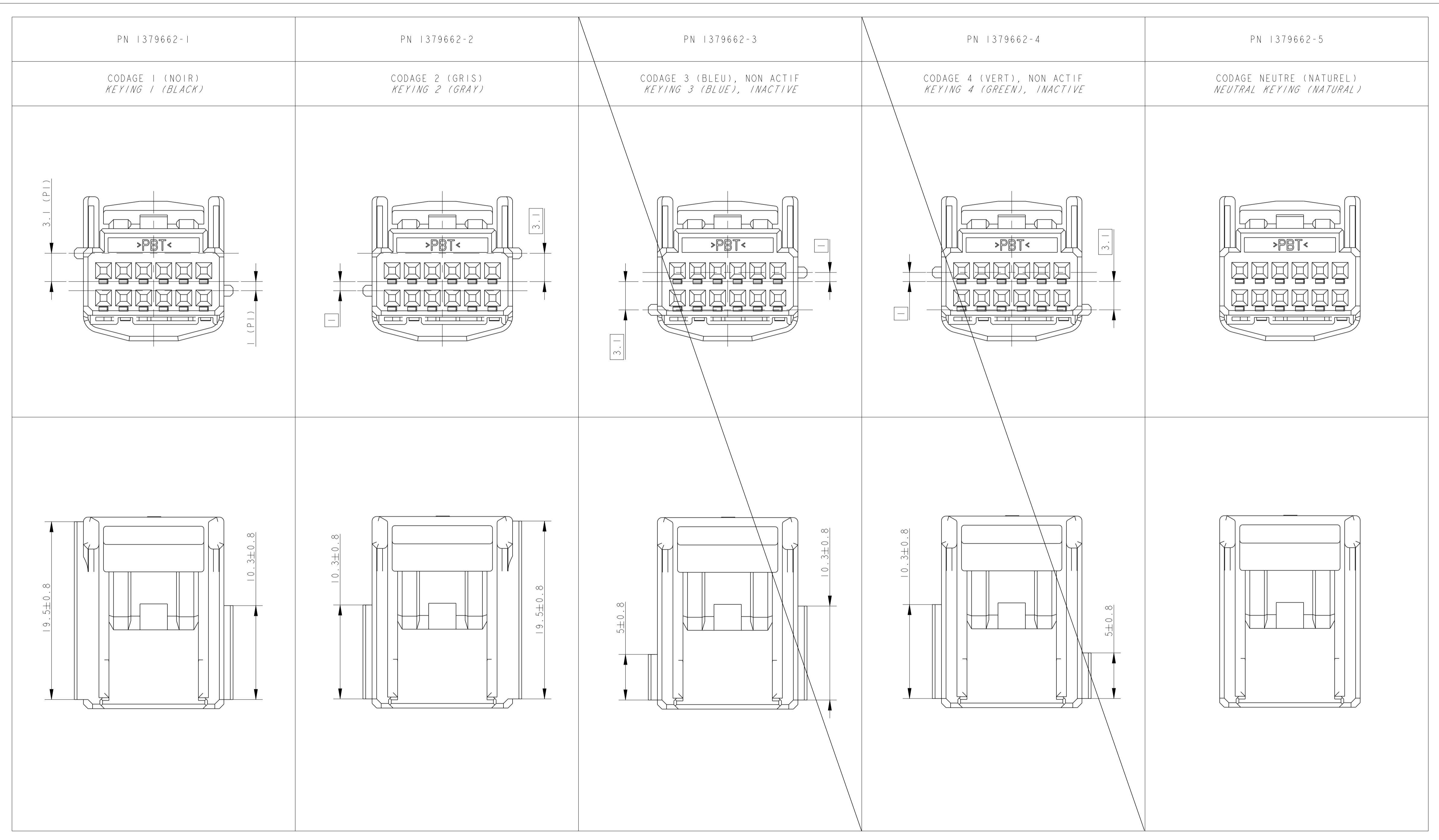
NAME: 025 TH 12 POS PLUG HOUSING

SIZE: A1
 CAGE CODE: 1379662
 DRAWING NO: 1379662

RESTRICTED TO RESERVE A

Customer Drawing / PLAN CLIENT UNIFORMEMENT POUR REFERENCE
 SCALE: 4:1
 SHEET: 1 OF 2
 REV: C

LOC		DIST		REVISIONS			
P	LTN	REV	DESCRIPTION	DATE	DWN	APPV	
-	-	-	SEE SHEET 1	-	-	-	-



THIS DRAWING IS A CONTROLLED DOCUMENT. CE PLAN EST UN DOCUMENT CONTRÔLÉ PAR TUXO ELECTRONICS - IL EST SENSIBLE ET NE DOIT ÊTRE COMMUNIQUÉ QU'À DES PERSONNES QUALIFIÉES POUR OBTENIR LA MEILLEURE DÉLIVRANCE.

D. BANCE 29OCT2002
 CHA. FERRIERE 04NOV2002
 B. DUPONT

APVD / APPROUVÉ: J.P. PICAUD 04NOV2002
 PRODUCT SPEC: SEE TABLE
 APPLICATION SPEC: SEE TABLE
 SPEC. APPLICATION: SEE TABLE
 WEIGHT: -
 MASSE APPROX.: -

NAME: 025 TH 12 POS PLUG HOUSING
 SIZE: A1
 CAGE CODE: 1379662
 DRAWING NO: 1379662
 IN PLAN: -
 UNIFORMITY: -
 SCALE: 4:1
 SHEET: 2 OF 2
 FEUILLE: 2 DE 2

Customer Drawing / PLAN CLIENT FOUR REFERENCE

RESTRICTED TO RESERVE A

TE Connectivity