

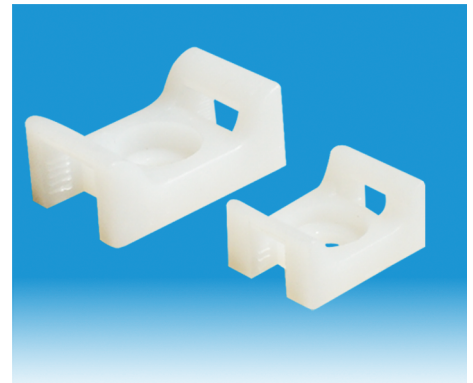
16 Series

RoHS
Compliant

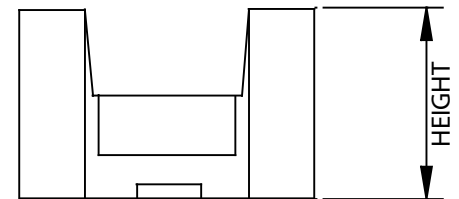
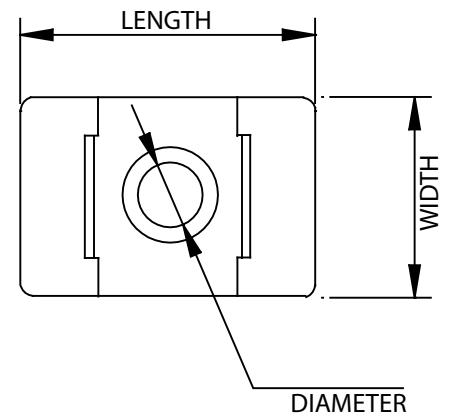
NYLON 6.6

GENERAL PURPOSE

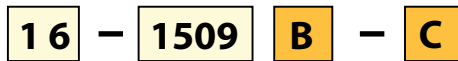
APPLICATION OPERATING TEMPERATURE: -40°C to +85°C



| Part Number | Length mm [Inch] | Width mm [Inch] | Height mm [Inch] | Diameter mm [Inch] | Cable Ties Width up to mm [Inch] |
|-------------|------------------|-----------------|------------------|--------------------|----------------------------------|
| 16-1509 | 15.2 [.600] | 9.4 [.370] | 6.80 [.267] | 3.30 [.130] | 4.8 [.189] |
| 16-1712 | 17.8 [.700] | 12.7 [.500] | 8.20 [.320] | 4.31 [.170] | 4.8 [.189] |
| 16-2216 | 22.0 [.870] | 16.2 [.640] | 9.60 [.385] | 5.20 [.205] | 7.6 [.300] |
| 16-2516 | 25.4 [1.00] | 16.2 [.640] | 10.80 [.425] | 5.20 [.205] | 9.0 [.354] |



PART NUMBER SYSTEM



SERIES

SIZE

MATERIAL/COLOR

- N: Natural
- B: Normal UV Black

PACKAGE SIZE

- C: 100PCS
- Number: Other Quantity