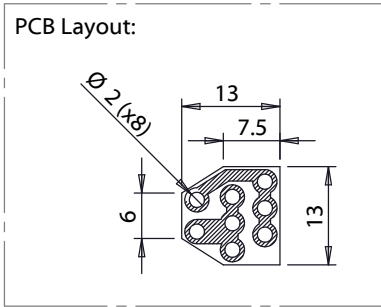
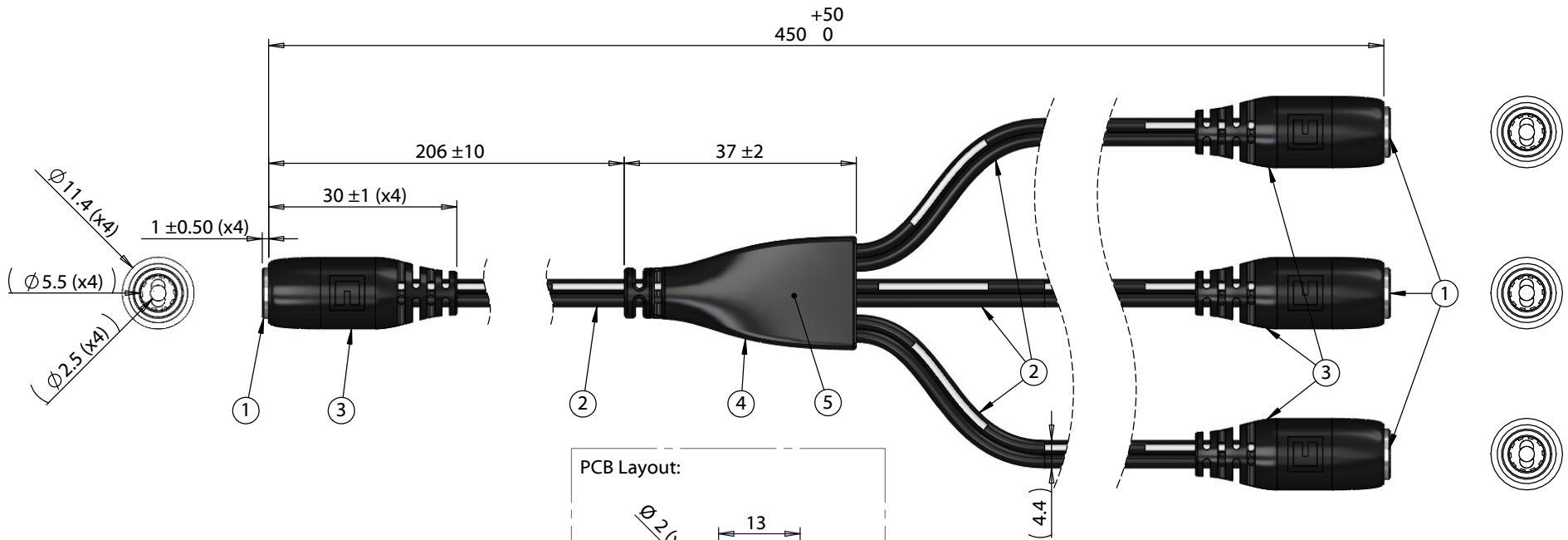


ITEM NO.	PART NUMBER	DESCRIPTION	QTY.	COMPONENT NOTES
1	50-00027	Connector, dc jack, 5.5x2.5xL17.4 mm, molding style	4	
2	30-00007	Wire, 2C BC, 18 AWG, UL2468, 300V, 80C, 4.4 mm, VW-1, PVC, 87A	4	
3	24-00004	Overmold, PVC	4	black
4	24-00186	Overmold, splitter, Ø 8.0 mm by 10.0x18.0 mm	1	black
5	PCB	Splitter PCB, FR4, two-layer, tin, 13.0x13.0x1.6 mm	1	



Wiring Diagram		
50-00027	wire color	50-00027
center	black with stripe	center
sleeve	black	sleeve

**Notes:**  
Functionally equivalent components may be substituted

Revision:	Date:	Description:	Prepared:	Notes: RoHS and REACH compliant Function test: no open, no short circuit, no intermittent	<h1>TENSILITY</h1> <p>tel 1.541.323.3228 800 877.670.7118 fax 1.541.323.4202 web tensility.com</p>				
A	4/12/2018	Initial release	Verified:						
			Dimensions are in millimeters. Tolerances: X: ± 0.5 mm X.X: ± 0.3 mm X.XX: ± 0.05 mm						
			Description:	Cable, 450 mm, 5.5x2.5 mm 50-00027 dc jack to y-split to 3x 5.5x2.5 mm dc jack, 18 AWG, UL2468	<table border="1"> <tr> <td>Size:</td> <td>Part number:</td> </tr> <tr> <td>A</td> <td>10-02735</td> </tr> </table>	Size:	Part number:	A	10-02735
Size:	Part number:								
A	10-02735								
				Scale: 1:1		Sheet 1 of 1			

5

4

3

2

1