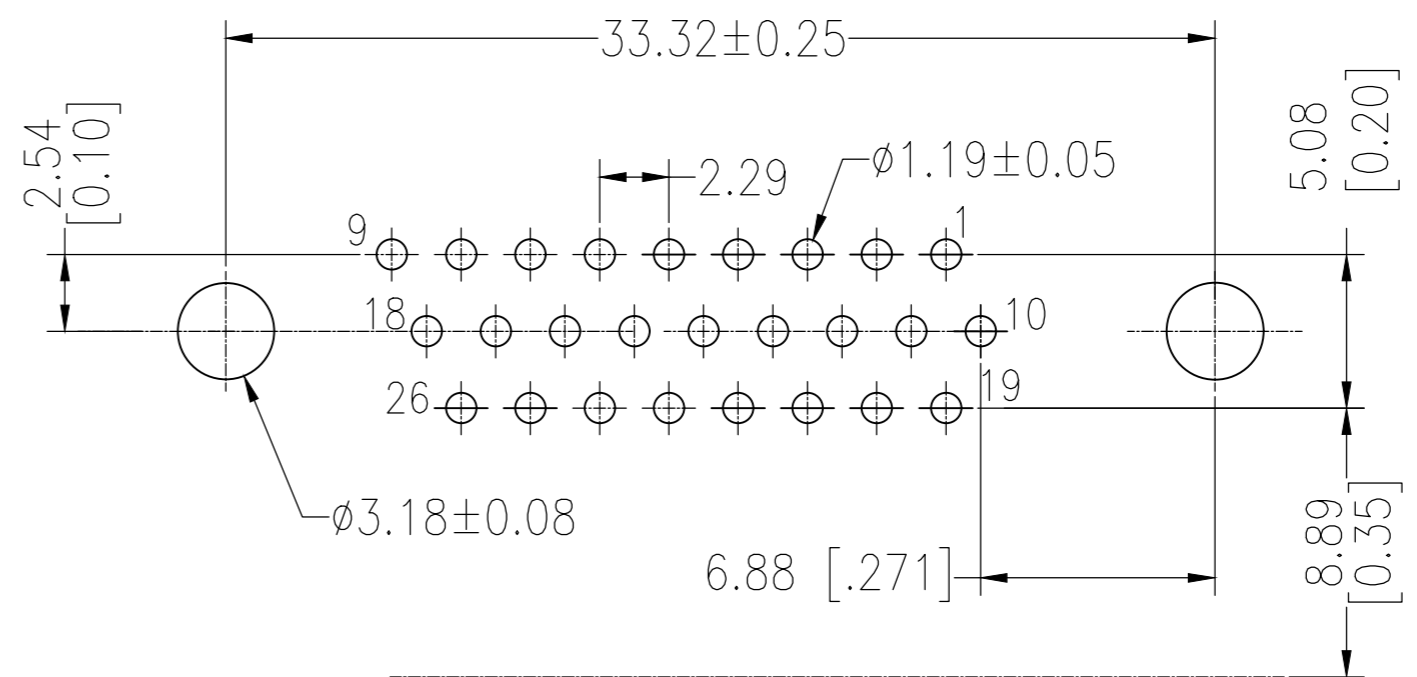
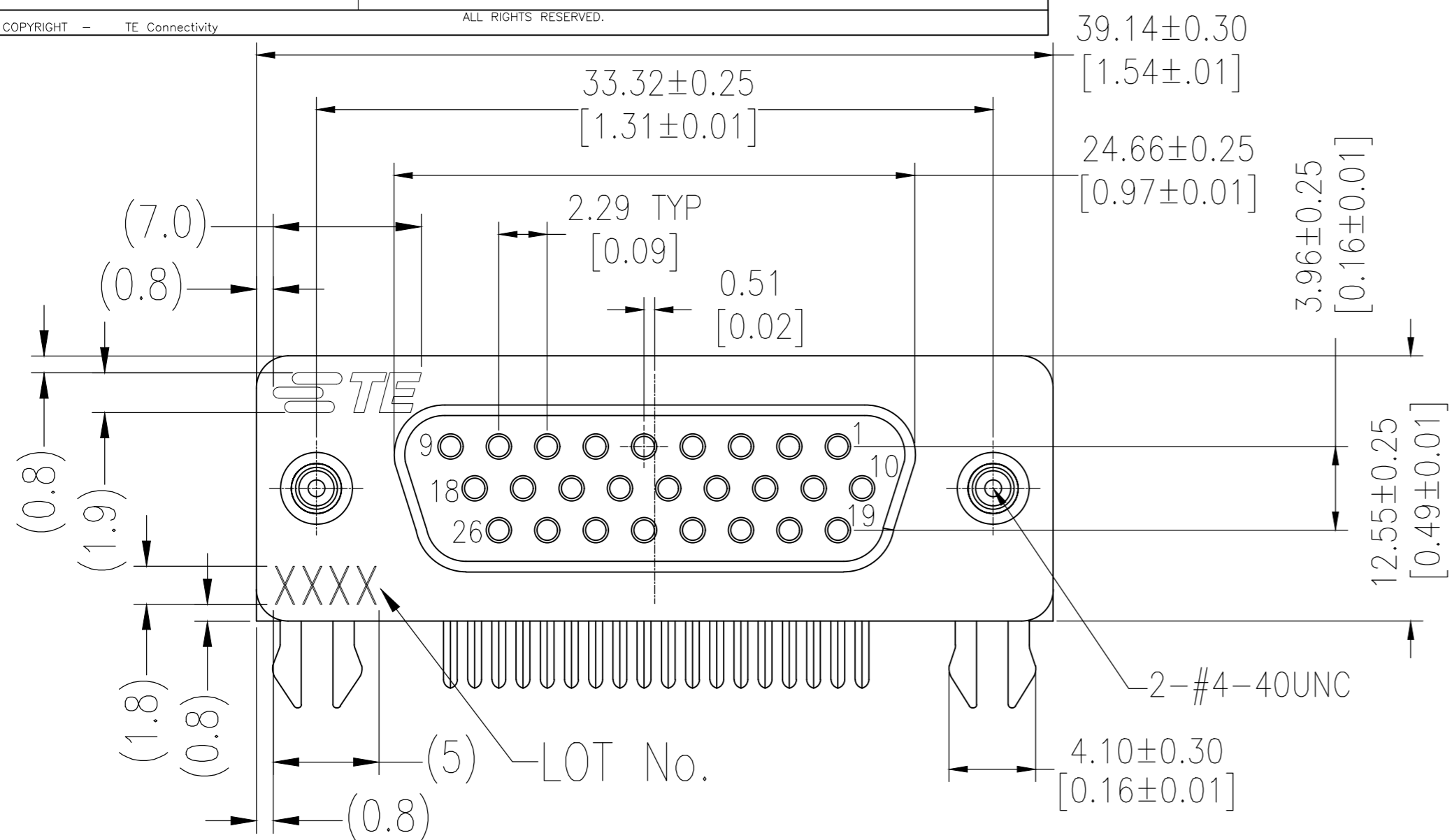


THIS DRAWING IS UNPUBLISHED. RELEASED FOR PUBLICATION  
 © COPYRIGHT - TE Connectivity ALL RIGHTS RESERVED.

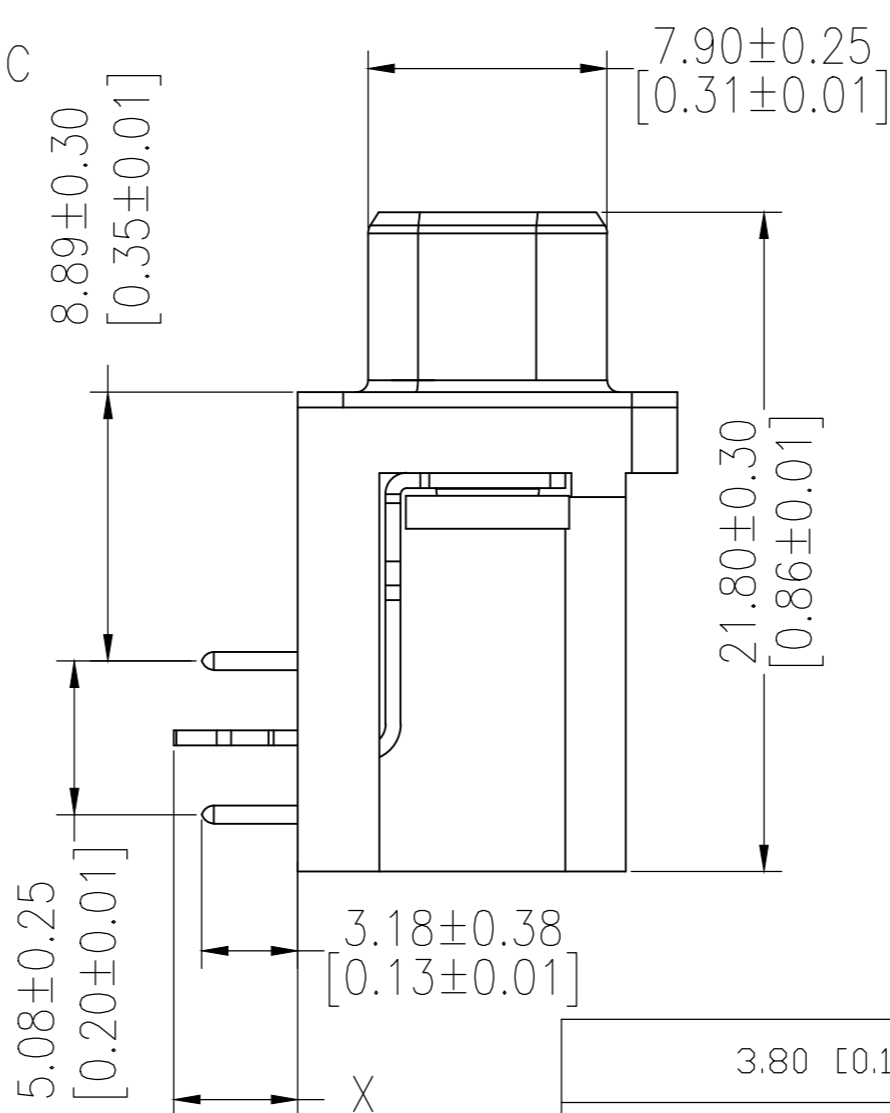
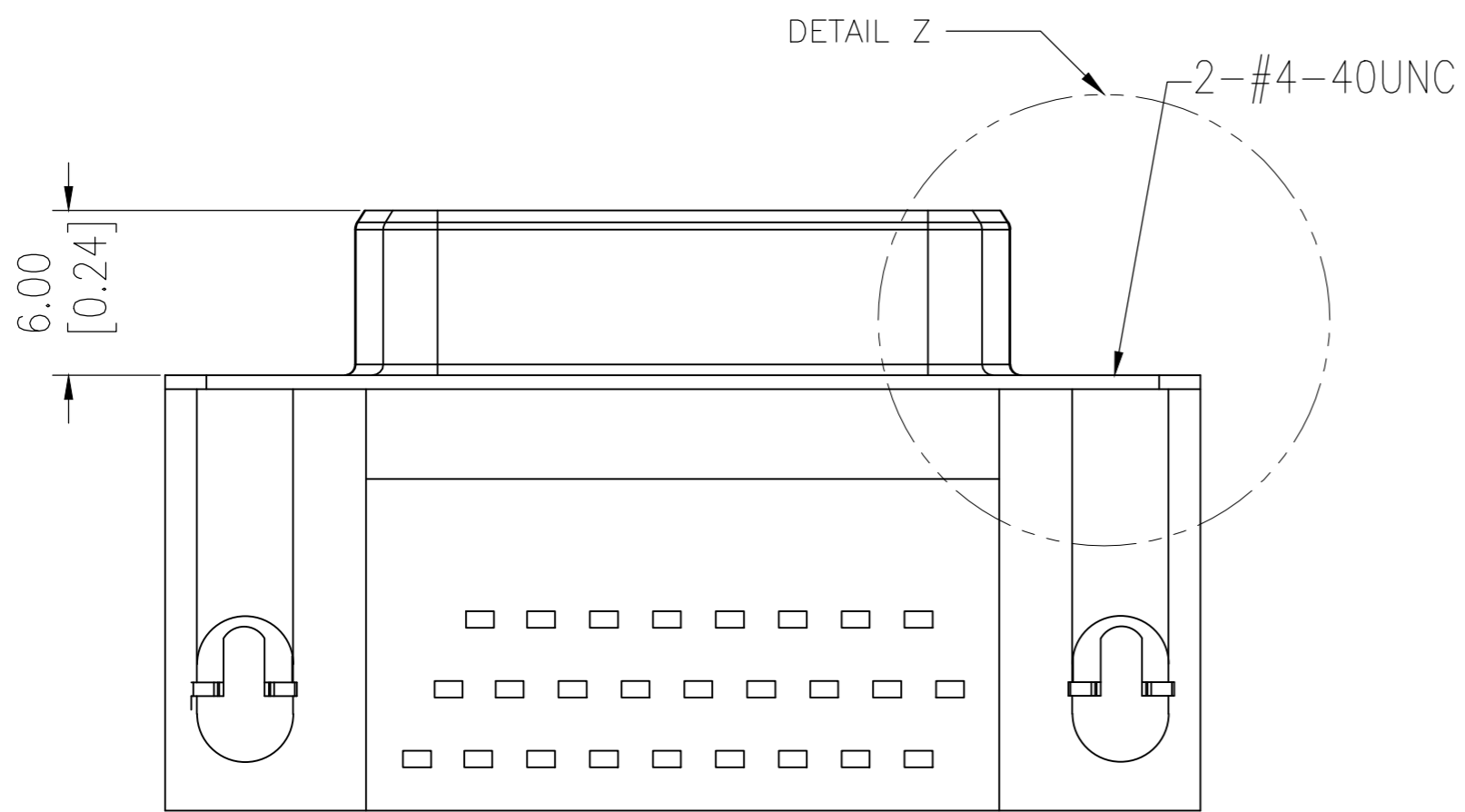
REVISIONS				
P	LTR	DESCRIPTION	DATE	APVD
E		REVISED PER ECO-18-008015	24MAY2018	AP DG

Recommended P.C.B Layout(Top Side)  
 (PCB BOARD TOLERANCE±0.05)

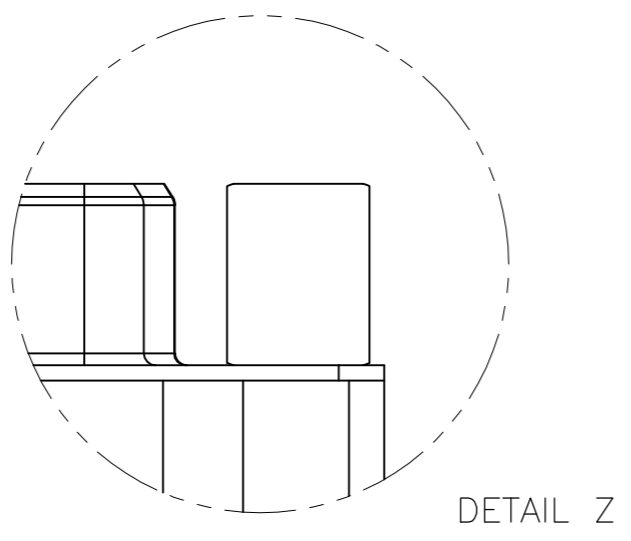


NOTES:

Insulator: PBT+G.F UL94V-0 BLACK  
 Contact: PHOSPHOR BRONZE  
 " GOLD PLATING ON CONTACT AREA  
 100u" MATTE TIN PLATING ON SOLDER TAIL  
 50u" NICKEL UNDERPLATED OVERALL  
 Holddown: Brass, 100u" TIN OVER 50u" NICKEL  
 Sheel: Cold Roller Steel, Ni Plated  
 Rivetlock: Brass, Nickel Plated  
 LOT NUMBER "XXXX"  
 X Stands For Calendar Year  
 Y Stands For Week Number



3.80 [0.150]	YES SEE DETAIL Z	30µ"Au	2311768-2
4.10 [0.161]	THREADED	30µ"Au	2311768-1
X ± 0.30 [± 0.012]	SCREWLOCK	Contact Area	P/N
BOARDLOCK LENGTH		Plating	



THIS DRAWING IS A CONTROLLED DOCUMENT.		DWN AJITH PAI 11MAR2017		TE Connectivity		
DIMENSIONS: mm		CHK DANIEL GORENC 11MAR2017		NAME		
TOLERANCES UNLESS OTHERWISE SPECIFIED:		APVD DANIEL GORENC 11MAR2017		AMPLIMITE RECEPTACLE, HD22, RIGHT ANGLE, 26P		
0 PLC ± - 1 PLC ± - 2 PLC ± 0.25 3 PLC ± - 4 PLC ± - ANGLES ± -		PRODUCT SPEC 108-130023	DRAWING NO.		RESTRICTED TO	
MATERIAL		FINISH	WEIGHT	SCALE 1:1	SHEET 1 OF 1	
CUSTOMER DRAWING			SIZE A2	CAGE CODE 00779	REV E	