

4

3

2

1

REVISIONS		
LTR	DESCRIPTION	DATE
B	ECO-09-011896	05/15/2009

D

C

B

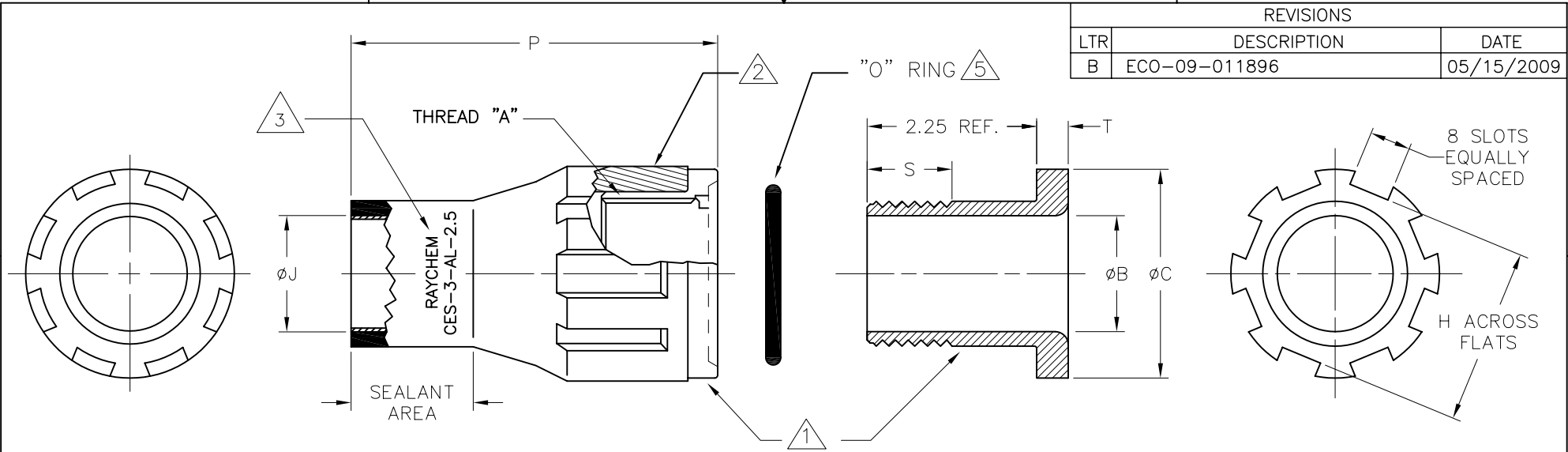
A

D

C

B

A



PART DESCRIPTION	"A" THREAD	ØB MIN	ØC REF	H REF	ØJ		P REF REC	S REF	T REF	PANEL THK ⁴	DRILL HOLE DIA. (REF.)
					MIN EXP	MAX REC					
CES-3-AL-2.5	1 3/8-12 UNF	1.10 [27,94]	1.90 [48,26]	1.65 [41,9]	1.20 [30,48]	.50 [12,7]	3.55 [90,17]	1.25 [31,2]	.31 [7,88]	1.5 [38]	1.38 [35,1]

NOTES:

- ¹ MATERIAL: ALUMINUM 6061-T6 WITH FINISH OF HARD ANODIZE PER MIL-A-8625F, TYPE III, CLASS 2, DYED BLACK AND NON-REFLECTIVE COATING.
- ² BOOT: HEAT SHRINKABLE, MATERIAL IN ACCORDANCE WITH -3 POLYOLEFIN
- ³ PART TO BE MARKED AS SHOWN.
- ⁴ THIS PART IS DESIGNED TO FIT THROUGH A PANEL OR BULKHEAD WITH A WALL THICKNESS (REF.) AS INDICATED IN TABLE.
- ⁵ O-RING MATERIAL: NITRILE (BUNA-N)

If this document is printed it becomes uncontrolled. Check for the latest revision

CUSTOMER DRAWING

UNLESS OTHERWISE SPECIFIED DIMENSIONS ARE INCHES. METRIC DIMENSIONS ARE IN BRACKETS. DECIMAL TOLERANCES .XXX ± 0.005 [0.13 mm] .XX ± 0.01 [0.25 mm] .X ± 0.1 [0.50 mm] ANGLE TOLERANCE .X ± 1 DEG.	DRAWN UNGUYEN	APPROVED JKUSTER		Raychem Molded Parts 305 Constitution Dr Menlo Park, CA 94025
	RPN CP2775-000	THIRD ANGLE PROJECTION		TITLE CABLE ENTRY SEAL, ALUMINUM SIZE B CODE IDENT. NO. 06090 DWG. NO. CES-3-AL-2.5
© 2009 Tyco Electronics Corporation. All rights reserved.			DO NOT SCALE THIS DRAWING	SHEET 1 OF 1

4

3

2

1