

5

4

3

2

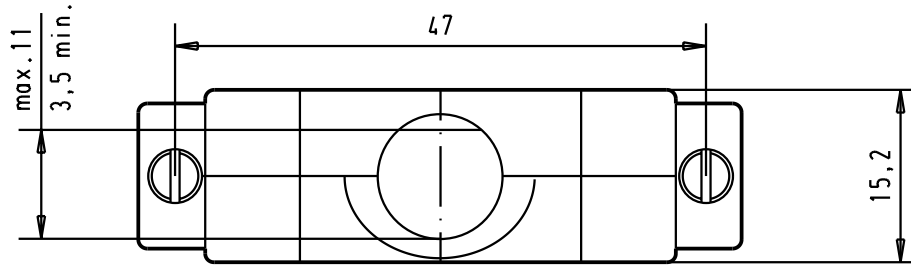
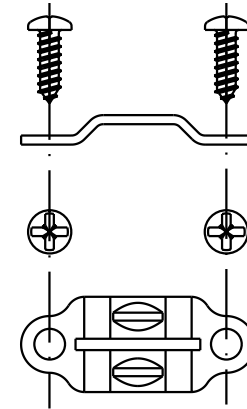
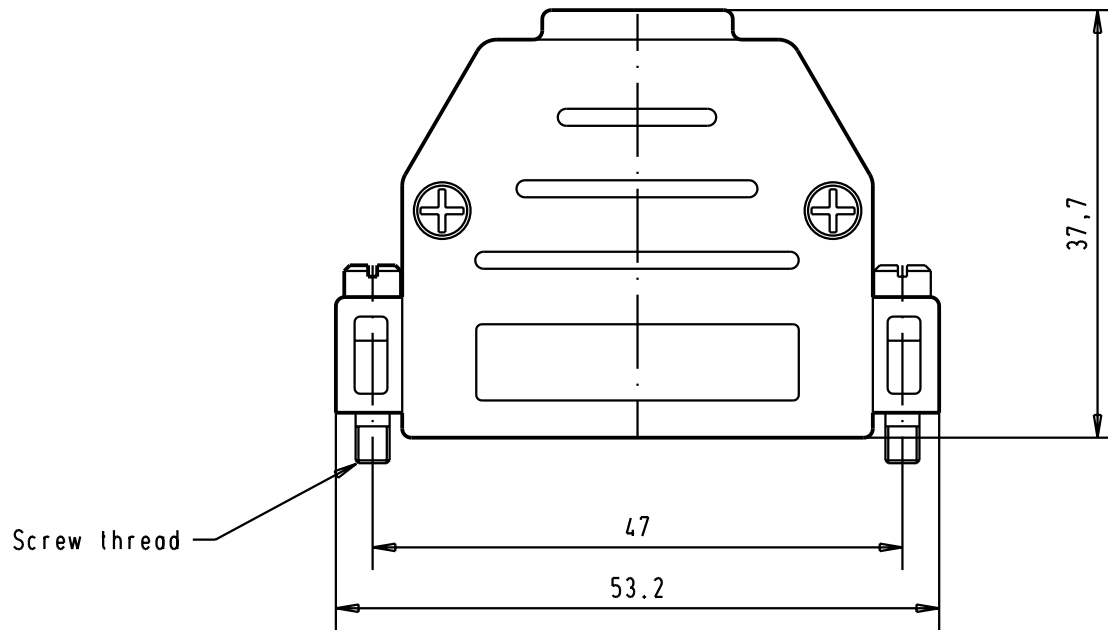
1

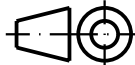

D

C

B

A



					Det.	Name	 All Dim. in mm Orig. Size DIN A 4	D-Sub, thermoplastic metallized hood, 25 poles with short locking screws.	Maßstab/ Scale 1.5:1
					4-SEP-02	CV			
					Insp.				
					Stand.				
09 67 025 0423	M3				HARTING EURL F-95972 Paris			TB 0967 025 04x3	Blatt/ Page 1 /
09 67 025 0443	4-40 UNC	31085	4-SEP-02	CV					
Part number	Screw thread	Mod.	Dat.	Name					