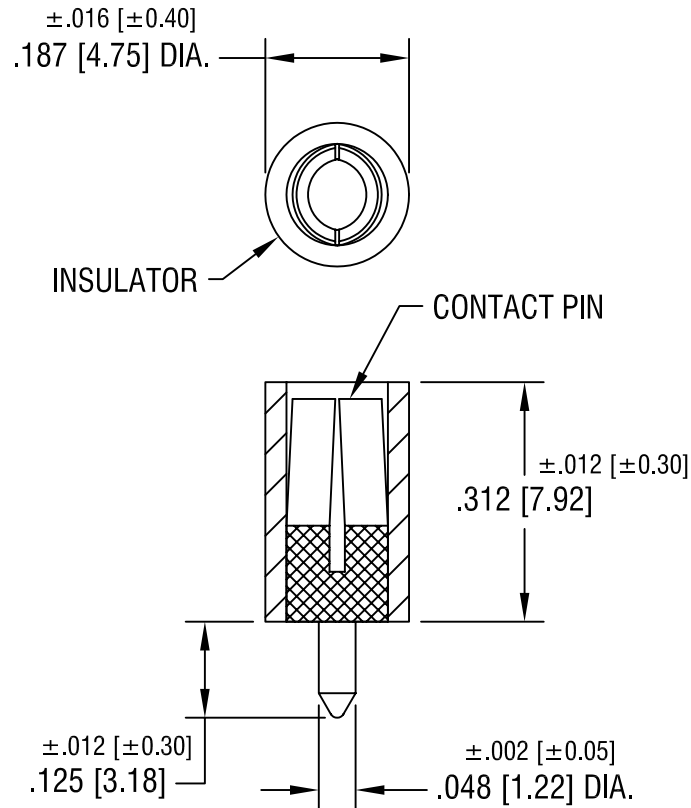


THIS DOCUMENT IS THE PROPERTY OF  
KEYSTONE ELECTRONICS CORP. AND  
SHALL NOT BE REPRODUCED, DISTRIBUTED  
OR USED AS A BASIS FOR MANUFACTURE  
WITHOUT PRIOR WRITTEN PERMISSION  
FROM KEYSTONE ELECTRONICS CORP.



NOTES:

1. CONTACT PIN:  
MAT'L - BRASS, SILVER PLATE  
INSULATOR:  
MAT'L - NYLON 6/6 - WHITE
2. RATINGS:  
CURRENT: 5 AMPS MAX.  
OPERATING VOLTAGE: 1500 RMS  
ADJACENT JACK CAPACITANCE:  
1 pF MAX. @ 1 MHz

|                                   |               |                       |             |
|-----------------------------------|---------------|-----------------------|-------------|
| <b>KEYSTONE ELECTRONICS CORP.</b> |               |                       |             |
| ASTORIA, N.Y. 11105-2017          |               |                       |             |
| PART NAME                         |               | VERTICAL PC TEST JACK |             |
| MATERIAL                          |               | AS NOTED              |             |
| FINISH                            |               | DRN BY                | DATE        |
| AS NOTED                          |               | BOONE                 | 12.13.82    |
|                                   |               | APPD                  | SCALE       |
|                                   |               | LN                    | 4X          |
| TOLERANCES                        | INCH          | [MM]                  | CODE        |
| DECIMAL                           | $\pm .005$    | [ $\pm 0.15$ ]        | C           |
| ANGULAR                           | $\pm 1^\circ$ |                       |             |
| UNLESS OTHERWISE SPECIFIED        |               |                       | DWG NO.     |
|                                   |               |                       | <b>6036</b> |

|          |                          |      |
|----------|--------------------------|------|
| 11.20.00 | CHANGE AS PER ECN 00-116 | A    |
| DATE     | DESCRIPTION              | REV. |