

PART NUMBER	ITEM ① HANDLE	COLOR	ITEM ② BODY	ITEM ③ SPRING	ITEM ④ SCREW
108-1701-101	NYLON	WHITE	BRASS NICKEL PL .0001 MIN	NICKEL SILVER NICKEL PL .0001 MIN	BRASS NICKEL PL .0001 MIN
108-1702-101		RED			
108-1703-101		BLACK			
108-1704-101		GREEN			
108-1705-101					
108-1706-101		ORANGE			
108-1707-101		YELLOW			
108-1708-101		BROWN			
108-1709-101					
108-1710-101		BLUE			
108-1711-101					
108-1712-101		VIOLET			
108-1713-101		GRAY			
108-1714-101					
108-1715-101					
108-1716-101					
108-1717-101					
108-1718-101					
108-1719-101					
108-1720-101					

DRAWING NO.
B - 108-1701/1720-101

0	REVISIONS
***** * REVISION NUMBER FOLLOWED BY AN ALPHA * * CHARACTER INDICATES DRAWING CLARIFI- * * CATION OR PART NUMBER ADDITION ONLY. * *****	
14a	9-13-94 R H S W T R J H C K B
	9-27-94 ECN 42639

NOTES:
1. SPECIFICATIONS:

ELECTRICAL:

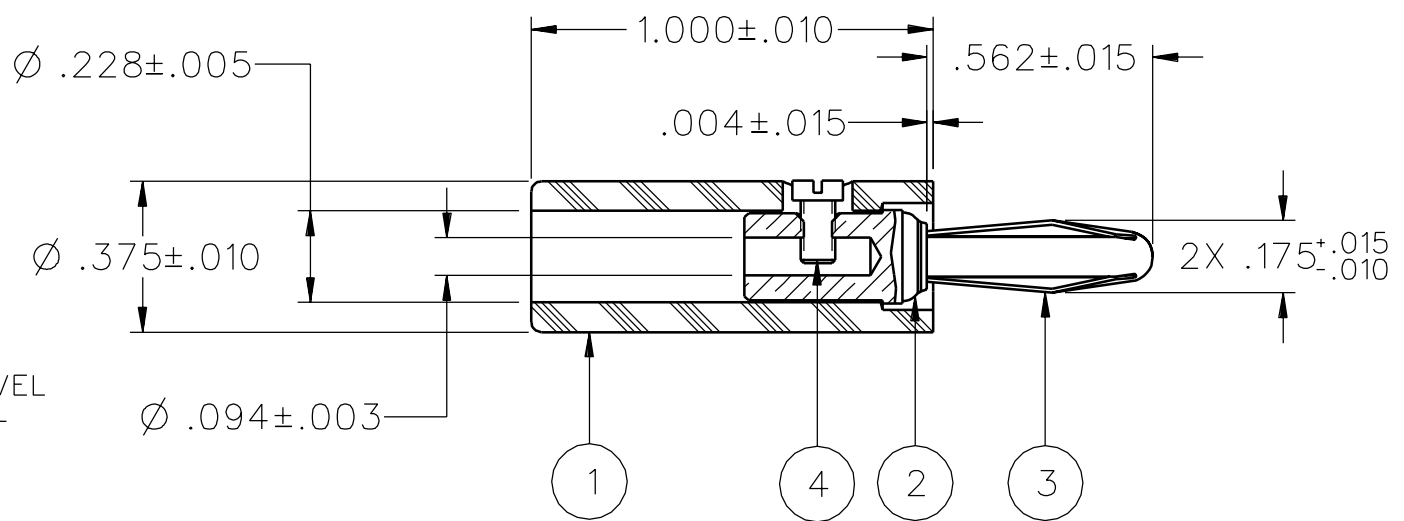
CURRENT RATING: 15 AMPS DC MINIMUM
DIELECTRIC WITHSTANDING VOLTAGE: 3500 VRMS MIN AT SEA LEVEL
RECOMMENDED WORKING VOLTAGE: 1750 VRMS MAX AT SEA LEVEL
INSULATION RESISTANCE: 5000 MEGOHMS MIN
CONTACT RESISTANCE: 10 MILLIOHMS MAXIMUM

MECHANICAL:

INSERTION/WITHDRAWAL FORCE: 1.0 - 12.0 POUNDS
CONTACT SPRING RETENTION FORCE: 15 POUNDS MINIMUM
WIRE ACCEPTABILITY: 14 AWG OR SMALLER
WIRE ATTACHMENT: SOLDERLESS, SET SCREW
MATING BANANA JACK DIAMETER: .166 NOMINAL
DURABILITY: 1000 CYCLES MINIMUM

ENVIRONMENTAL:

(MEETS OR EXCEEDS THE APPLICABLE PARAGRAPH OF MIL-C-28901)
OPERATING TEMPERATURE: -55 DEG C TO 85 DEG C.
TEMPERATURE RISE AT RATED CURRENT: 10 DEG C MAXIMUM
CORROSION: MIL-STD-1344, METHOD 1001, CONDITION B
SHOCK: MIL-STD-1344, METHOD 2004, CONDITION G
VIBRATION: MIL-STD-1344, METHOD 2005, CONDITION I
HUMIDITY: MIL-STD-1344, METHOD 1002, CONDITION B



CUSTOMER DRAWING

THIS DRAWING TO BE INTERPRETED
PER ASME Y 14.5M - 1994

"μ STATION"

COMPANY CONFIDENTIAL

TOLERANCE UNLESS OTHERWISE SPECIFIED		DRAWN BY	DATE
DECIMALS	mm	SWC	4-4-94
.XX		CHECKED BY	DATE
.XXX		TAK	9-19-94
MATL		APPROVED BY	DATE
		RJB	9-20-94
FINISH		RELEASE DATE	9-27-94
		U/M	INCH
		SCALE	4:1



Cinch Connectivity Solutions
P.O. Box 1732
Waseca, MN 56093
1-800-247-8256

TITLE ASSEMBLY, BANANA PLUG
INSULATED HANDLE, ROUND BODY
SOLDERLESS BLACKHOLE, SET SCREW

SHEET
2 OF 2

DRAWING NO.
B - 108-1701/1720-101