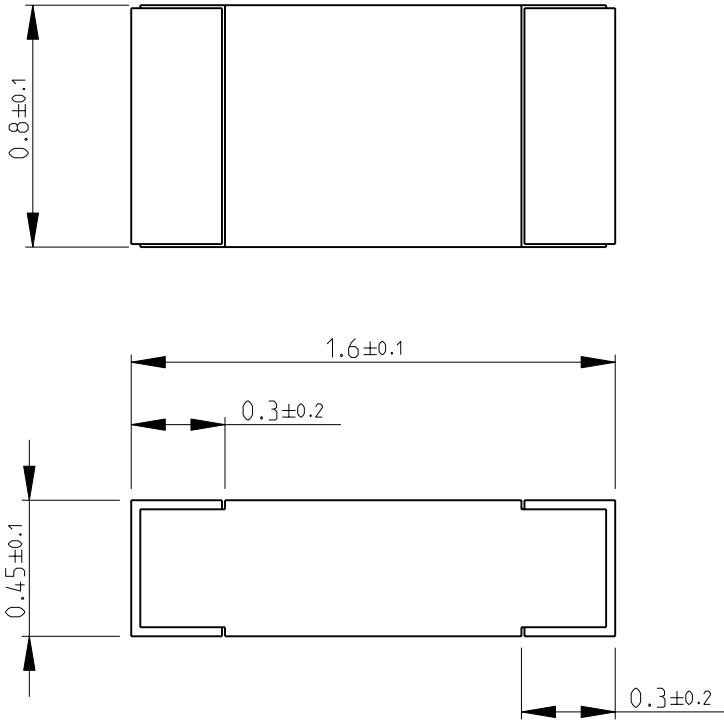
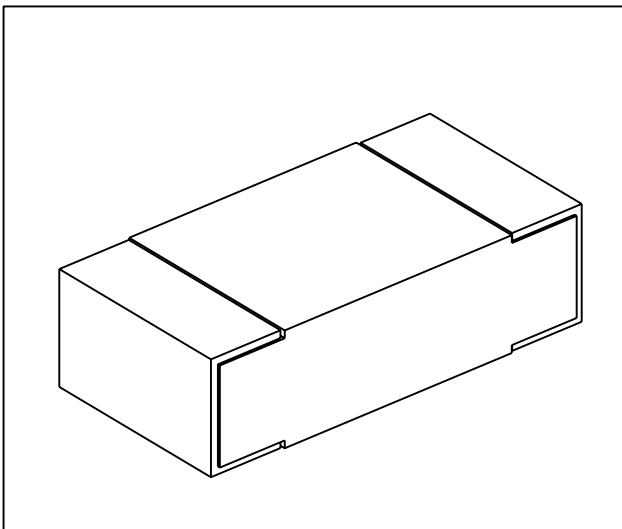


LOC	DIST	REVISIONS			
P	LTR	DESCRIPTION	DATE	DWN	APVD
E	B	BA1	REVISED PER ECO-11-005150	29MAR2011	RK HMR


- 1 PACKAGING- 1000 PIECES PER REEL
- 2 FOR FURTHER INFORMATION SEE DATA SHEET FOR 3640 SERIES-HIGH FREQUENCY INDUCTORS



RoHS Compliant



2008
 RELEASED FOR PUBLICATION
 ALL RIGHTS RESERVED.
 BY -
 © COPYRIGHT 2008

DIMENSIONS: mm TOLERANCES UNLESS OTHERWISE SPECIFIED: 0 PLC ±0.2 1 PLC ±0.1 2 PLC ±- 3 PLC ±- 4 PLC ±- ANGLES ±5°	DWN SUBHASH.M 10-Sep-08 CHK PRAKASH.S 10-Sep-08 APVD STEPHEN.P 10-Sep-08	MATERIAL - FINISH -	 TE Connectivity
	PRODUCT SPEC - APPLICATION SPEC - WEIGHT -	NAME HIGH FREQUENCY INDUCTORS SMD SERIES 3640 0603 SIZE A4 CAGE CODE 00779 DRAWING NO C-1624109 RESTRICTED TO -	
CUSTOMER DRAWING		SCALE 40:1	SHEET 1 OF 1 REV BA1