

MODEL:

# SRCOOL2KWM

## SmartRack® Wall-Mount Cabinet Air Conditioning Unit



2,000 BTU



Close-Coupled Cooling



Zero-Maintenance Design



Standard NEMA 5-15P Plug



Filters and Dehumidifies Air



Intuitive LCD Screen

### Front View

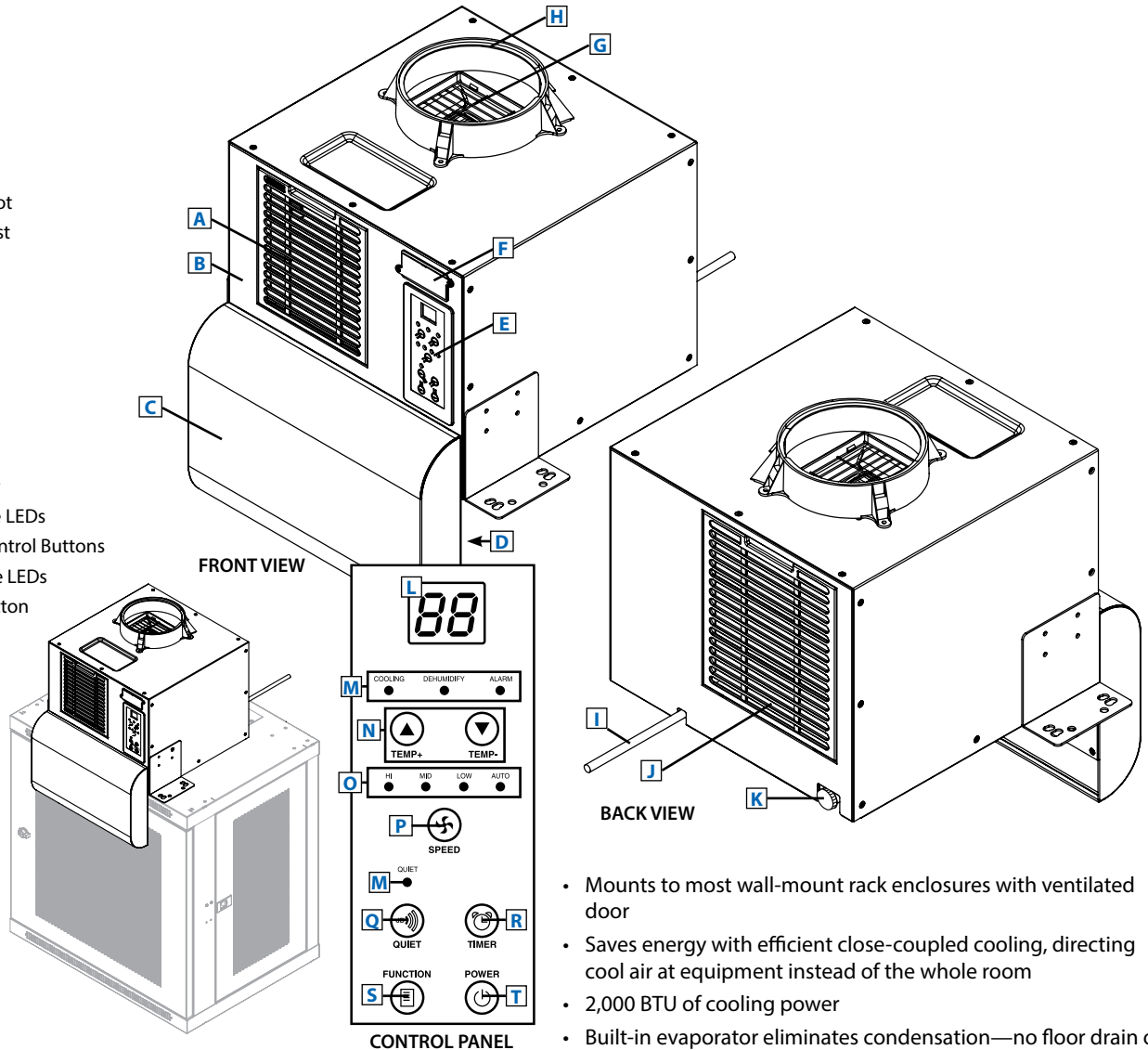
- A** Air Filter
- B** Front Panel
- C** Directional Vent
- D** Cool Air Output
- E** Control Panel
- F** SRCOOLNET2 Slot
- G** Warm Air Exhaust
- H** Duct Adapter

### Rear View

- I** AC Power Cord
- J** Air Filter
- K** Drainage Outlet

### Control Panel

- L** Numeric Display
- M** Operating Mode LEDs
- N** Temperature Control Buttons
- O** Fan Speed Mode LEDs
- P** "FAN SPEED" Button
- Q** "QUIET" Button
- R** "TIMER" Button
- S** "FUNCTION" Button
- T** "POWER" Button



- Mounts to most wall-mount rack enclosures with ventilated door
- Saves energy with efficient close-coupled cooling, directing cool air at equipment instead of the whole room
- 2,000 BTU of cooling power
- Built-in evaporator eliminates condensation—no floor drain or water collection tank needed
- Features remote control capability (requires optional SRCOOLNET2 Web Management Accessory, sold separately)

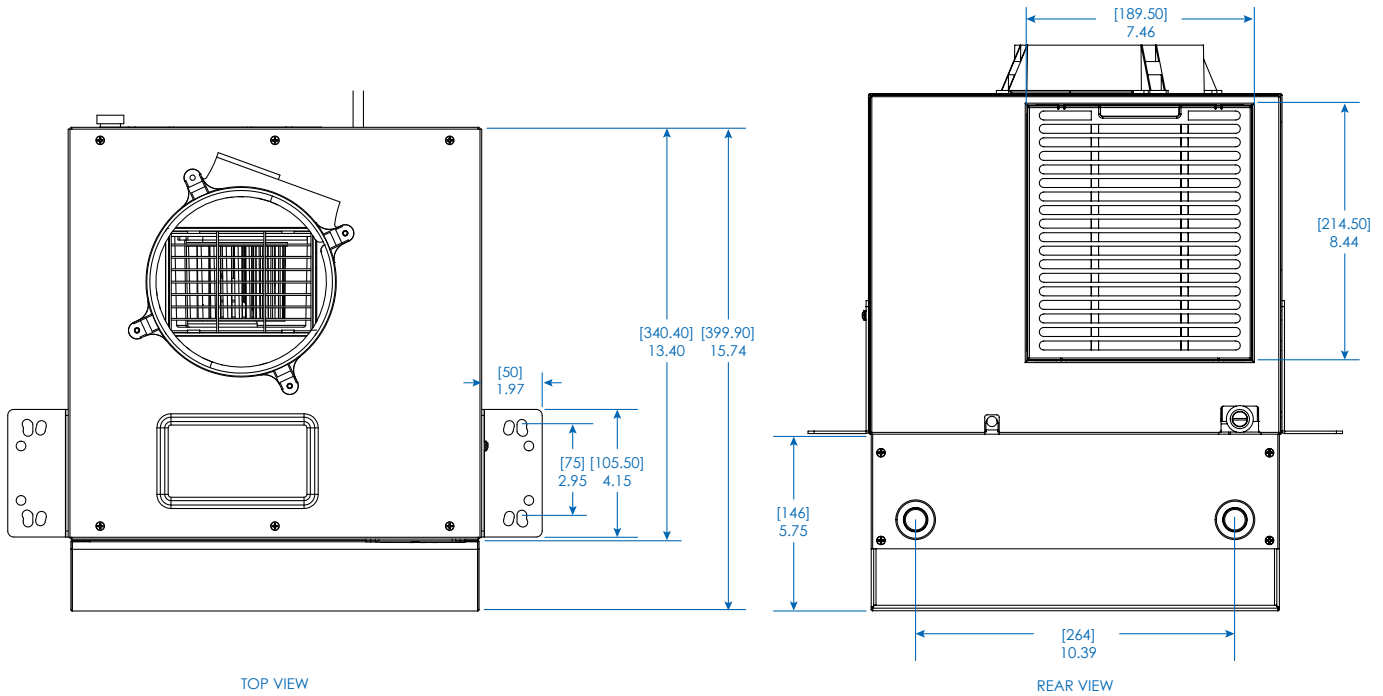
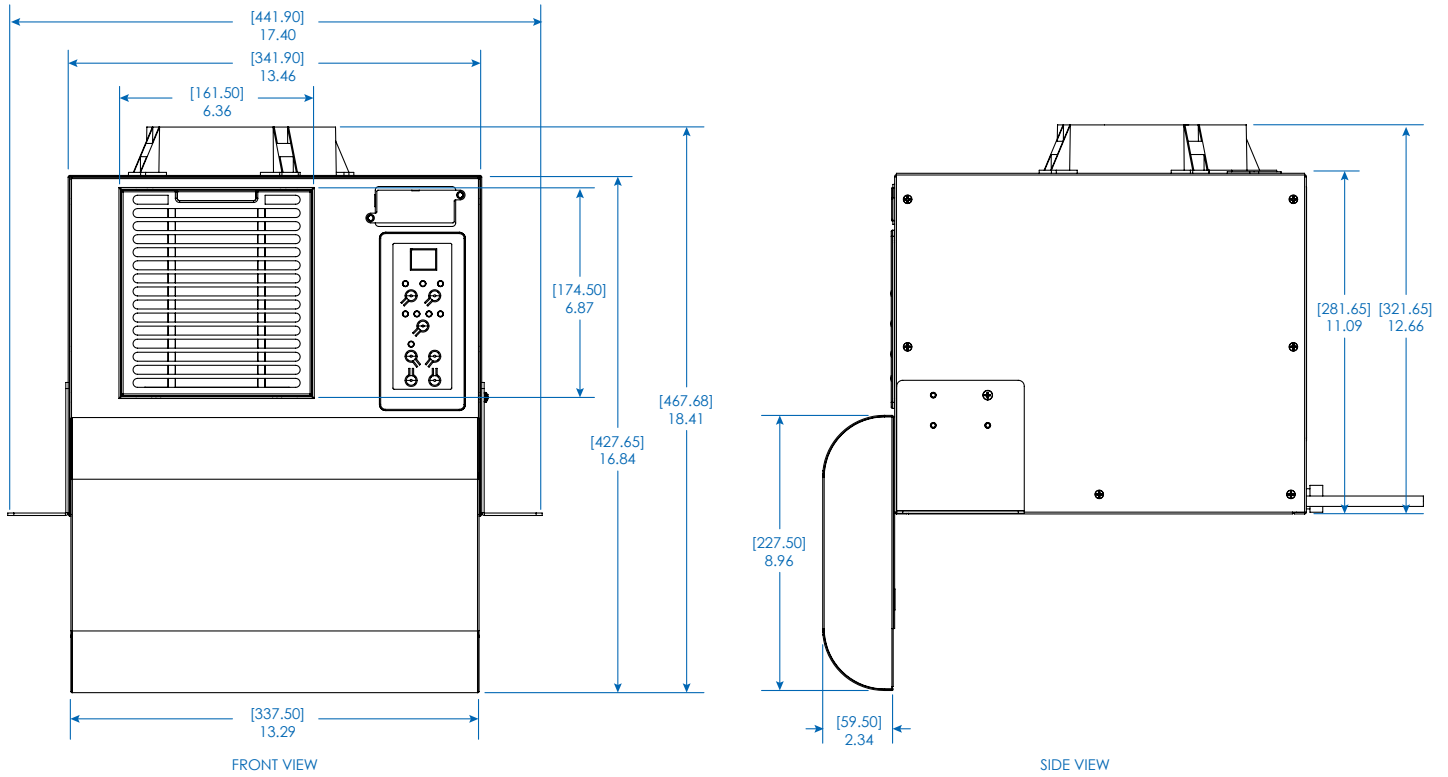
**SEE NEXT PAGE FOR DETAILED UNIT MEASUREMENTS**

### Specifications

<b>Model</b>	SRCOOL2KWM
Cooling Capacity	2,000 BTU / 0.6 kW
Input Voltage	120V, 60Hz AC
Power Consumption	276W Max
Input Cord / Connector	6 ft. (1.8 m) / NEMA 5-15P
Unit Dimensions	11.1 x 13.5 x 13.5 in. / 281.9 x 342.9 x 342.9 mm
Shipping Dimensions	17.3 x 19.4 x 26 in. / 439.4 x 492.8 x 660.4 mm
Unit Weight	35 lb. / 15.88 kg
Shipping Weight	52 lb. / 23.59 kg
Standards	Tested to UL484; CSA 22.2 NO. 117-1970, RoHS; NOM



1111 W. 35th Street  
Chicago, IL 60609 USA  
773.869.1234  
www.tripplite.com



Dimensions: [mm] INCHES

Tripp Lite has a policy of continuous improvement. Specifications are subject to change without notice.

MODEL:  
**SRCOOL2KWM**  
**TRIPP-LITE**

1111 W. 35th Street  
 Chicago, IL 60609 USA  
 773.869.1234  
 www.tripplite.com