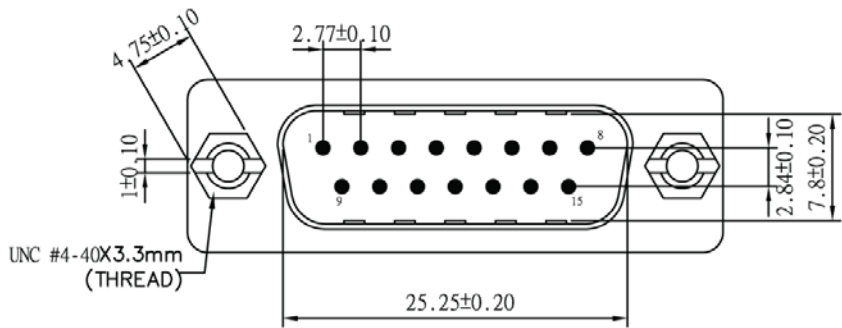
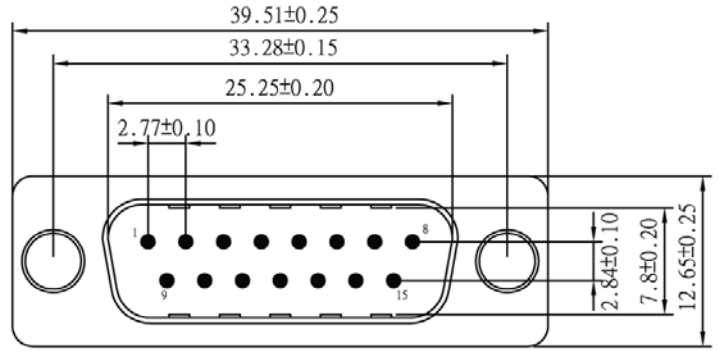
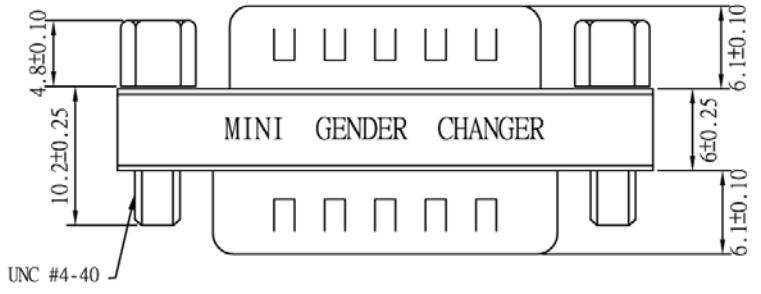
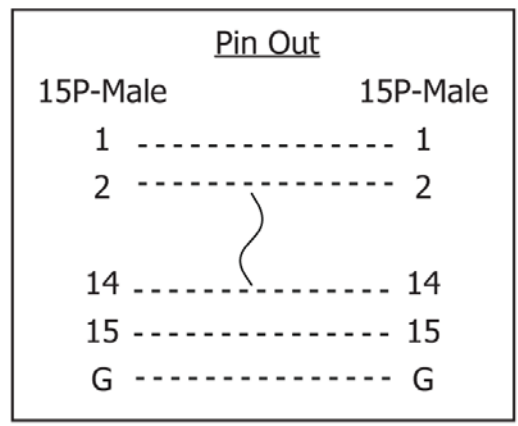
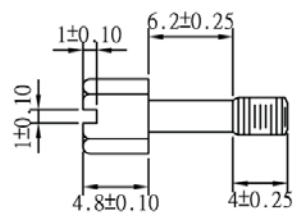


A
B
C
D
E
F
G
H

A
B
C
D
E
F
G
H



UNC #4-40 Hexscrew



Material:

- Insulator: PBT Glass fibre reinforced UL 94 V0
- Contact: Brass
- Contact plating: Gold plated over nickel
- Shell: Tin plated shell
- Yellow label with black characters

Unit: MM



Scale	1:1					Name	Item No.
TOLERANCE					Drawn	11.22.11	AB412
X.X	±0.40				Approved	Chappell	
X.XX	±0.25						Title
X.XXX	±0.15						Mini Gender Changer - D-Sub 15 Pin Male <=> D-Sub 15 Pin Male
Angle	±3°						Drawing No.
							rev00
							Replace
							Sheet

