

LENGTH $Y1$

6.65 ± 0.20 $Y2$

6.65 ± 0.20 $Y3$

TABLE 1

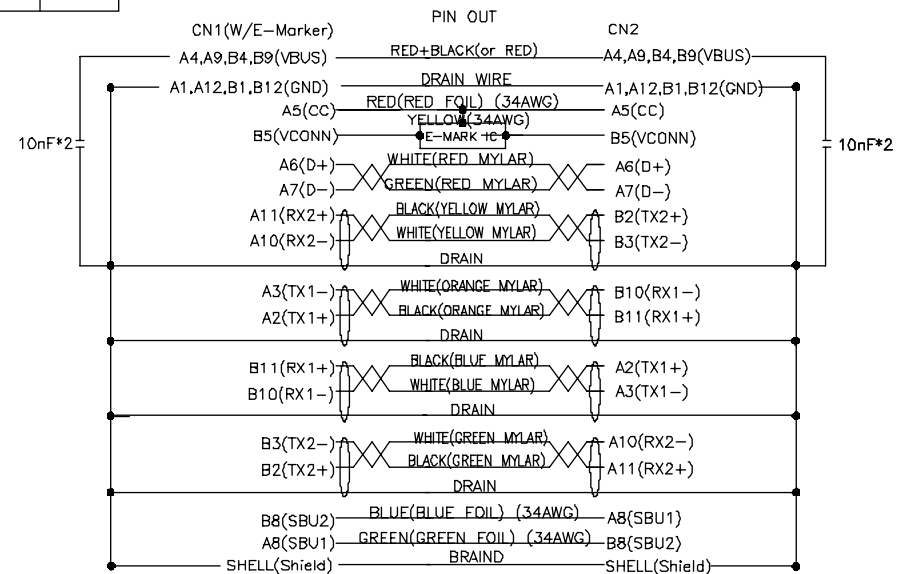
Feitai P/N:	CUSTOMER P/N:	SPECIFICATIONS	LENGTH
J02860009	105-1042-BL-00050	USB 3.1, C TO C, BLACK L=0.5M	500±50
J02860010	105-1042-BL-00100	USB 3.1, C TO C, BLACK L=1.0M	1000±50
J02860011	105-1042-BL-00150	USB 3.1, C TO C, BLACK L=1.5M	1500±50
J02860012	105-1042-BL-00200	USB 3.1, C TO C, BLACK L=2M	2000±60

MATERIALS LIST:

- CABLE1: L>1.5M:Type-c UL2725(30AWG*1PR+EAM)*4+(32AWG*1PR+AM)+26AWG*2C+34AWG*1C+(34AWG*1C+A)*3+2EAB 85%
 □D:5.0mm JACKET PVC COLOR:BLACK
 CABLE2: L=2M:Type-c UL2725(30AWG*1PR+EAM)*4+(32AWG*1PR+AM)+26AWG*2C+34AWG*1C+(34AWG*1C+A)*3+2EAB 85%
 □D:5.0mm JACKET PVC COLOR:BLACK
- CONNECTOR:USB3.1 TYPE C/M PIN 30U"
 2*C1=10nF±20% INSULATOR BLACK,NICKEL PLATED SHELL,
- CONNECTOR:USB3.1 TYPE C/M PIN 30U" WITH IC
 2*C1=10nF±20% INSULATOR BLACK,NICKEL PLATED SHELL,
- PVC MOLDED:V398 55P BLACK

ELECTRONIC TEST:

- OPEN/SHORT/INTERMITTENCE: 100%.
- HI-POT: 50V AC/0.01sec 50V DC/0.01sec
- INSULATION RESISTANCE: 10M ΩHM (MIN)
- CONDUCTIVE RESISTANCE: 3 ΩHM (MAX)
- CAPACITANCE DETECTION: 40NF±20% BETWEEN A1 AND A4



CnC Tech, LLC

Industrial Cable and Connector Technology

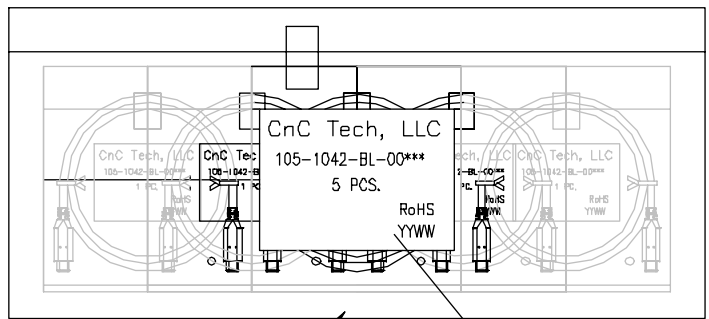
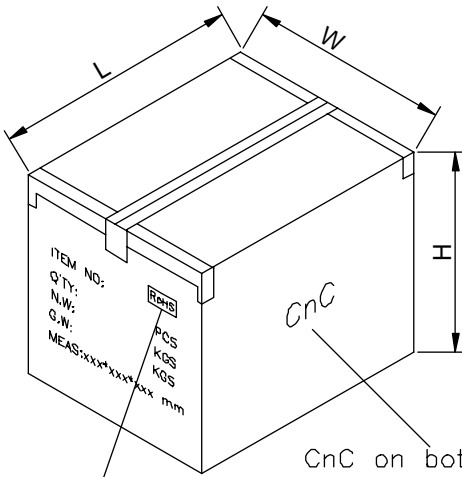
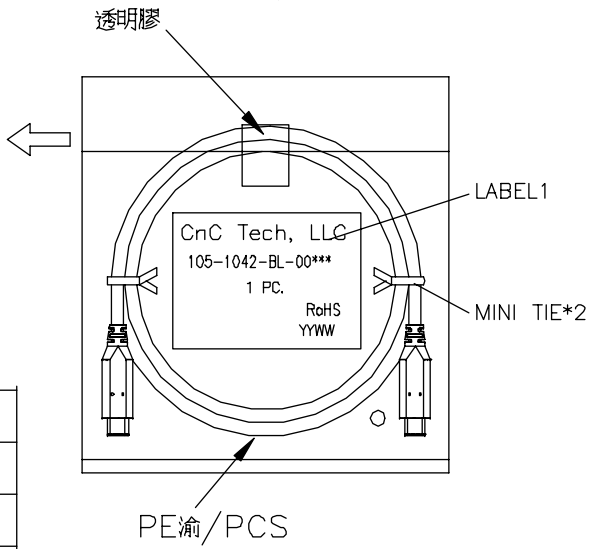
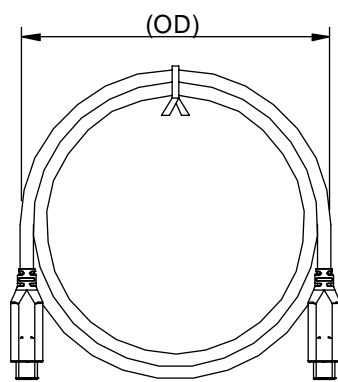
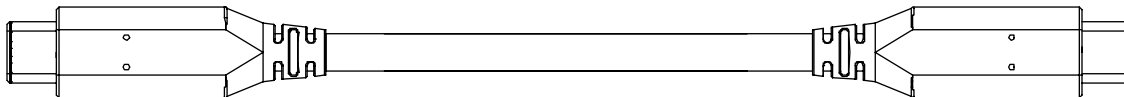
DRAWN BY	DH.W	DARWING NO.	T180424001
CHECKED BY		CUSTOMER	105-1042-BL-00***
APPROVAL BY		ITEM NO.	
DECIDE BY		DATE	18.05.29
VERSIONS/EDITEON	A/O	PROJECTION	

REV	ECN NO	DESCRIPTION	D.B	DATE

7 6 5 4 3 2 1

E

E



PE渝/5PCS

LABEL2

CnC on both sides

加盖“RoHS”印章

TABLE: B

Feitai P/N	CUSTOMER P/N	繞線(OD)	PE BAG SIZE/PCS	PE BAG SIZE/5PCS	MINI TIE	Waterproof bag	CARTON	Q' TY
J02860009	105-1042-BL-00050	90±10	5" *7" *0.06MM	7" *9" *0.06MM	70MM*2PCS	36" *30" *0.05mm	L460*W380*H200MM	300PCS
J02860010	105-1042-BL-00100	90±10	5" *7" *0.06MM	9" *11" *0.06MM	80MM*2PCS	36" *30" *0.05mm	L460*W380*H200MM	200PCS
J02860011	105-1042-BL-00150	110±10	7" *9" *0.06MM	9" *11" *0.06MM	90MM*2PCS	36" *30" *0.05mm	L460*W380*H200MM	150PCS
J02860012	105-1042-BL-00200	110±10	7" *9" *0.06MM	9" *11" *0.06MM	100MM*2PCS	36" *30" *0.05mm	L460*W380*H200MM	100PCS

B

B

A

A

REV	ECN NO	DESCRIPTION	D.B	DATE

CnC Tech, LLC			
Industrial Cable and Connector Technology			
DRAWN BY	DH.W	DARWING NO.	T180424001
CHECKED BY		CUSTOMER	105-1042-BL-00***
APPROVAL BY		ITEM NO.	
DECIDE BY		DATE	18.05.29
VERSIONS/EDITEON	A/0	PROJECTION	

7 6 5 4 3 2 1

LABEL1

CnC Tech, LLC
105-1042-BL-00050
1 PC.
RoHS
YYWW

CnC Tech, LLC
105-1042-BL-00100
1 PC.
RoHS
YYWW

CnC Tech, LLC
105-1042-BL-00150
1 PC.
RoHS
YYWW

CnC Tech, LLC
105-1042-BL-00200
1 PC.
RoHS
YYWW

50±2

35±2

LABEL2

CnC Tech, LLC
105-1042-BL-00050
5 PC.

RoHS
YYWW

CnC Tech, LLC
105-1042-BL-00150
5 PC.

RoHS
YYWW

85±2

75±2

CnC Tech, LLC
105-1042-BL-00100
5 PC.

RoHS
YYWW

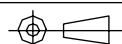
CnC Tech, LLC
105-1042-BL-00200
5 PC.

RoHS
YYWW

YY表示生產年份
WW表示生產週期

CnC Tech, LLC

Industrial Cable and Connector Technology

DRAWN BY	DH.W	DARWING NO.	T180424001
CHECKED BY		CUSTOMER	105-1042-BL-00***
APPROVAL BY		ITEM NO.	
DECIDE BY		DATE	18.05.29
VERSIONS/EDITEON	A/0	PROJECTION	

REV	ECN NO	DESCRIPTION	D.B	DATE