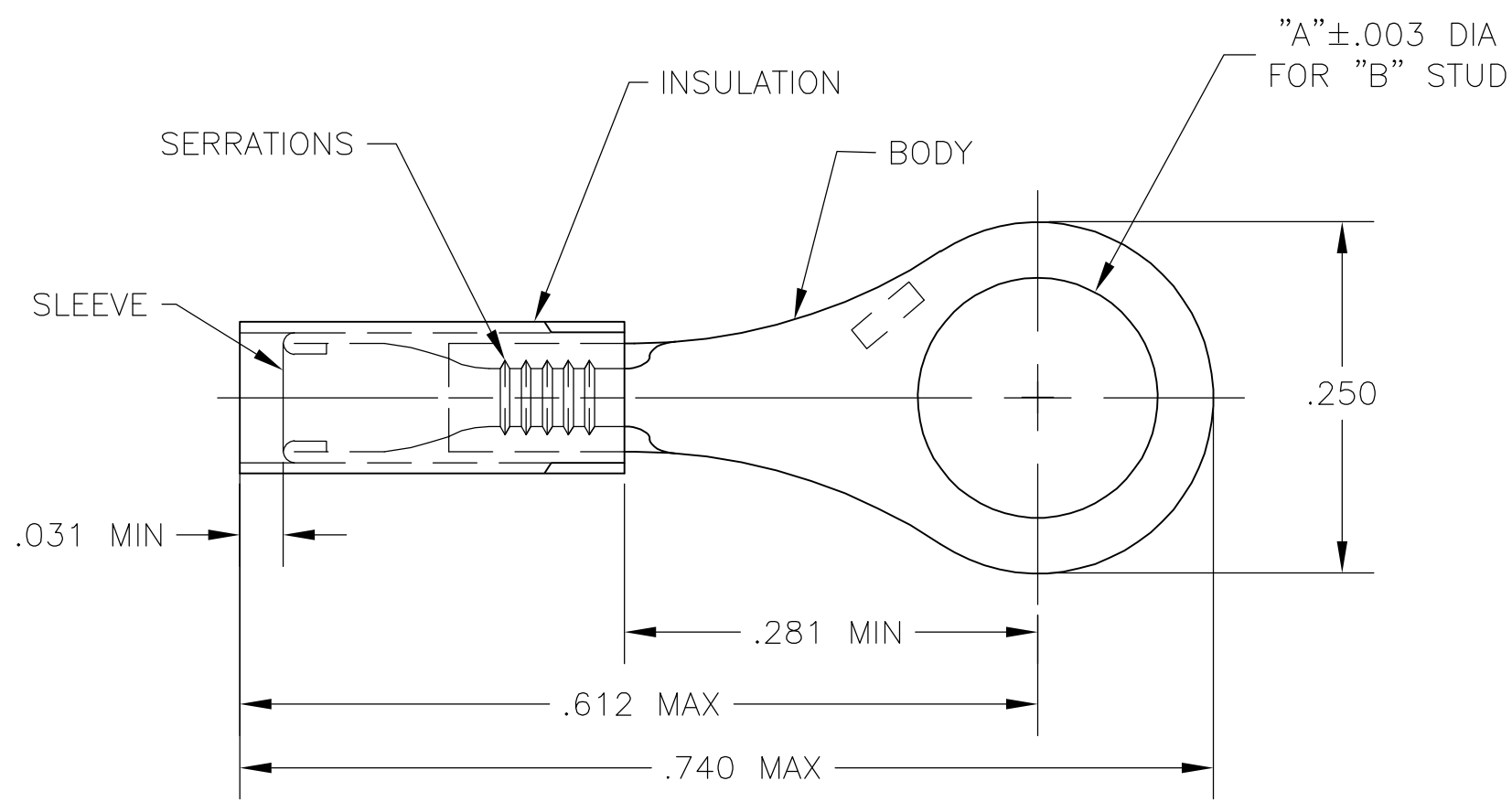


THIS DRAWING IS UNPUBLISHED. RELEASED FOR PUBLICATION  
 © COPYRIGHT - BY TYCO ELECTRONICS CORPORATION. ALL RIGHTS RESERVED.

| LOC | DIST | REVISIONS |     |                       |         |     |      |
|-----|------|-----------|-----|-----------------------|---------|-----|------|
| G   | 02   | P         | LTR | DESCRIPTION           | DATE    | DWN | APVD |
|     |      | P2        |     | REV PER ECR 06-028261 | 04DEC06 | JR  | TM   |



- 1 STAMPED AMP, LOCATION APPROX AS SHOWN
- 2 TONGUE MATERIAL THK IS .018±.002
- 3 BODY: COPPER ASTM B152  
NICKEL PL QQ-N-290  
.0003 AVG EXT. THK
- 4 SLEEVE: COPPER ASTM B152  
NICKEL PL QQ-N-290  
.00003 AVG EXT. THK
- 5 INSULATION: TEFLON ASTM D3295  
COLOR - BLACK
- 6 FOR .032 TO .082 WIRE  
INSULATION DIA.

| 1000 | .197 | #10 | LOOSE PIECE  | 50830-2 |
|------|------|-----|--------------|---------|
| 1000 | .171 | #8  | LOOSE PIECE  | 50830-1 |
| 1000 | .145 | #6  | LOOSE PIECE  | 50830   |
| QTY  | "A"  | "B" | PACKAGE TYPE | PART NO |

|  |   |   |  |   |  |  |                    |                       |                    |                 |           |
|--|---|---|--|---|--|--|--------------------|-----------------------|--------------------|-----------------|-----------|
| <b>AMP INCORPORATED</b><br><b>CUSTOMER SERVICE SYSTEMS</b>   |   | MAX RECOMMENDED OPERATING TEMPERATURE:<br>288°C | THIS DRAWING IS A CONTROLLED DOCUMENT. |   | DWN jr_ruth 11AUG03<br>CHK T MICHELUTTI 12AUG03<br>APVD T MICHELUTTI 12AUG03 | <b>tyco</b> Tyco Electronics Corporation<br><b>Electronics</b> Harrisburg, PA 17105-3608 |                    |                       |                    |                 |           |
| FOR ADDITIONAL PRODUCT INFORMATION OR COPIES OF DRAWINGS AND TECHNICAL DOCUMENTS<br>PRODUCT INFORMATION CENTER<br>1-800-522-6752 | FOR APPLICATION TOOLING ASSISTANCE CENTER<br>TOOLING INFORMATION<br>1-800-722-1111  | VOLTAGE RATING:<br>300V MAX                     | DIMENSIONS:<br>INCHES                  | TOLERANCES UNLESS OTHERWISE SPECIFIED:<br>0 PLC ± -<br>1 PLC ± -<br>2 PLC ± -<br>3 PLC ± .005<br>4 PLC ± -<br>ANGLES ± 1° | NAME<br>TERMINAL, RING TONGUE,<br>TEFLON-PIDG, STRATO-THERM, 26-24 AWG       | SIZE<br>A3   | CAGE CODE<br>00779 | DRAWING NO<br>C-50830 | RESTRICTED TO<br>- |                 |           |
| FOR ORDER ENTRY<br>1-800-526-5142  | THIS DRAWING IS A CONTROLLED DOCUMENT FOR AMP INCORPORATED. IT IS SUBJECT TO CHANGE AND THE CONTROLLING ENGINEERING ORGANIZATION SHOULD BE CONTACTED FOR THE LATEST REVISION. |   | MATERIAL<br>3-4-5                      | FINISH<br>3-4-5   | WEIGHT<br>-  | CUSTOMER DRAWING   |                    |                       | SCALE<br>8:1       | SHEET<br>1 OF 1 | REV<br>P2 |