

PART NAME

NEMA 4X ENCLOSURE

PART No.

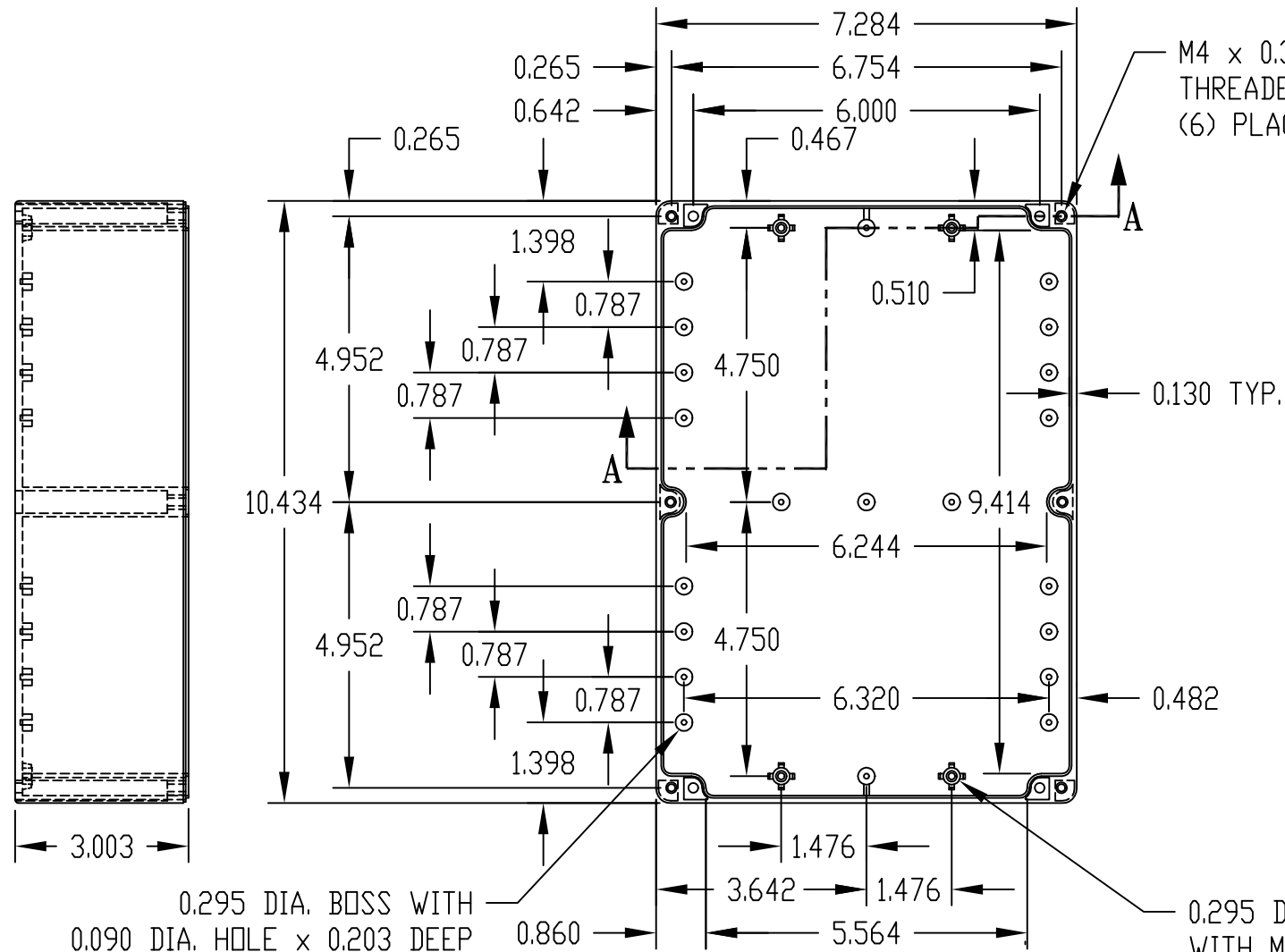
PN-1335, PN-1335-C AND PN-1335-DG

REV. DATE

11-17-08

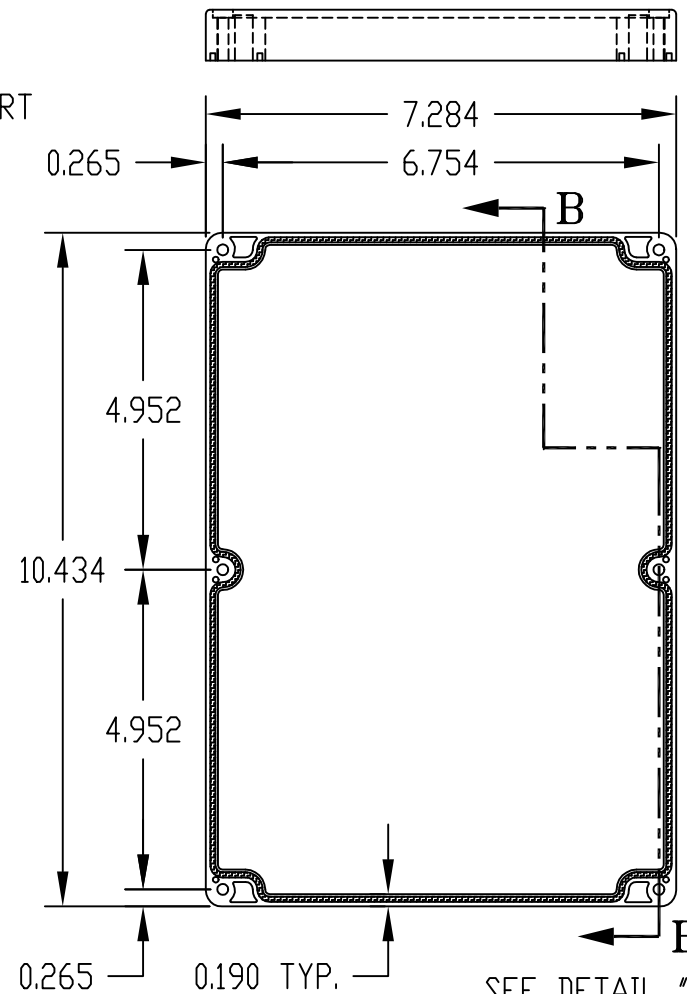
INDUSTRY STANDARDS:

POLYCARBONATE (LIGHT GRAY AND CLEAR)
 UL94-HB FLAMMABILITY RATING (UL FILE #E41613)
 UV STABILIZED
 SERVICE TEMPERATURE RANGE: -40°C TO +120°C
 ABS (DARK GRAY)
 UL94-HB FLAMMABILITY RATING (ULFILE #E560700)
 SERVICE TEMPERATURE RANGE: -40°C TO +80°C

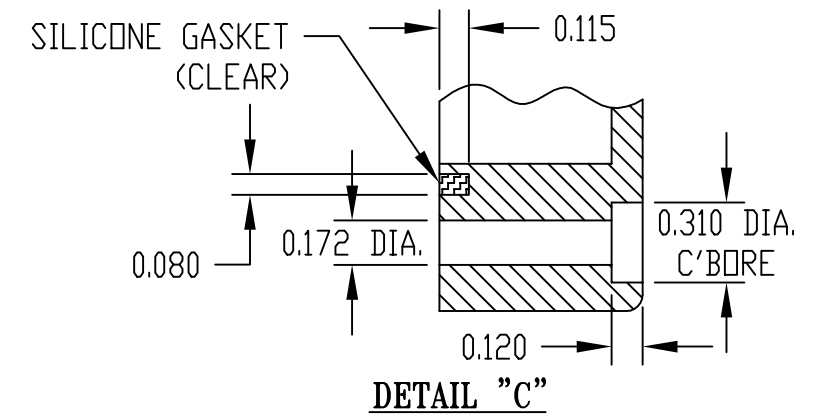


BODY

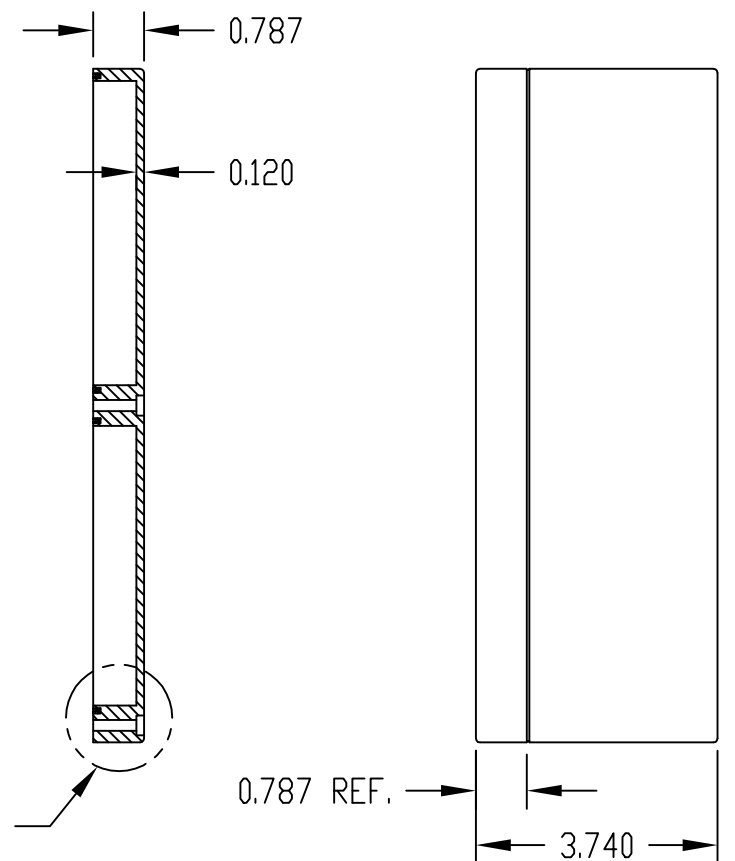
SECTION "A-A"



COVER



DETAIL "C"



SECTION "B-B"

NOTE: ALL DIMENSIONS HAVE ±0.015 TOLERANCE UNLESS OTHERWISE SPECIFIED.

PART NUMBER	MATERIAL		FINISH		HARDWARE KIT
	BODY	COVER	BODY	COVER	
PN-1335	POLYCARBONATE		LIGHT GRAY		KIT CONTAINS (6) M4 x 25mm (1.000") LG. SCREWS FOR ASSEMBLY
PN-1335-C	POLYCARBONATE		LIGHT GRAY	CLEAR	
PN-1335-DG	HIGH-IMPACT ABS		DARK GRAY		